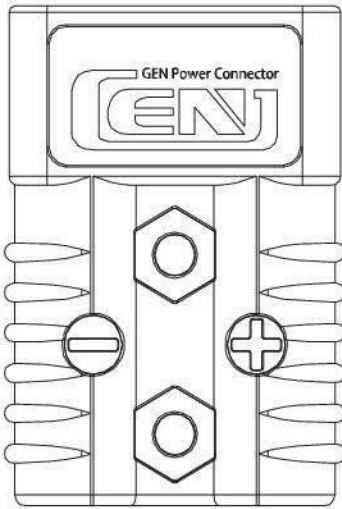


# SE175 Batter Modular Power Connector



## FEATURES

- **Mechanical keyed housings**  
Prevents accidental mating of components  
Operating at different voltage levels
- **Flat wiping contact system**  
Minimal contact resistance at high current  
Wiping action cleans contact surface during connection/disconnection
- **Genderless design**  
Makes assembly quick and easy and  
Reduces number of parts stock

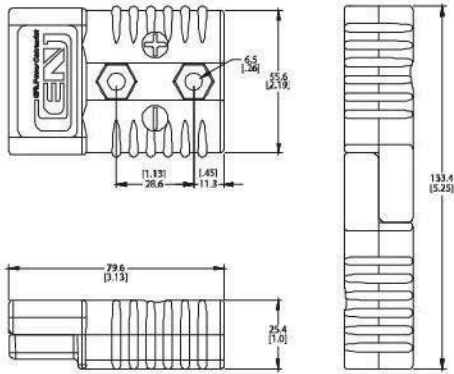
## 特征

- **机械键控外壳**  
可防止运行在不同电压等级下的设备意外接插
- **平面接触系统**  
在大电流下保持最小的接触电阻，插拔过程中产生擦拭动作会自动清洁接触件表面氧化层
- **无公母设计**  
安装简易快捷，减少零件库存

## Connector Specifications/连接器技术规格

|   |                                      |
|---|--------------------------------------|
| Rated current(Amperes) 额定电流(安培)   | 175A                                 |
| Voltage Ratings (Volts) 额定电压(伏特)  | 600V                                 |
| Contact Barrel Wire Size[AWG]导线尺寸[AWG]<br>mm <sup>2</sup>   | 4-1/0AWG<br>21.1-53.5mm <sup>2</sup> |
| Maximum Wire Insulation Diameter[inches] 最大导线绝缘直径[inches]<br>mm   | 0.75inches<br>19.0mm                 |
| AVG Contact Resistance(micro-ohms) 平均接触电阻(微欧)   | 100                                  |
| Insulation Withstanding Test Voltage (Volts AC/DC) 绝缘耐电压 (伏交流/直流)   | 2200V                                |
| Contact Retention Force (lbf) 端子保持力(磅)  | 300lbf                               |
| Life寿命<br>a.No load (Contact/Disconnect Cycles)<br>无负载(端子插拔次数)<br>b.under Load (Hot Plug 250 cycles @ 120V)<br>带负载(120V热插拔250次) | To 10,000<br><br>75A                 |
| AVg. Connection/Disconnect (lbf) 平均插拔力(磅)   | (SE 2Pole)25lbf\<br>(SE 3Pole)35lbf  |
| operating Temperature Range °C 工作温度范围 °C<br>°F  | -20 °to 105 °<br>-4 °to 221 °        |
| Flammability Rating of Housing Material 外壳防火等级  | UL 94-V0                             |
| Contact Material 端子材料   | Silver plated copper 铜镀银             |

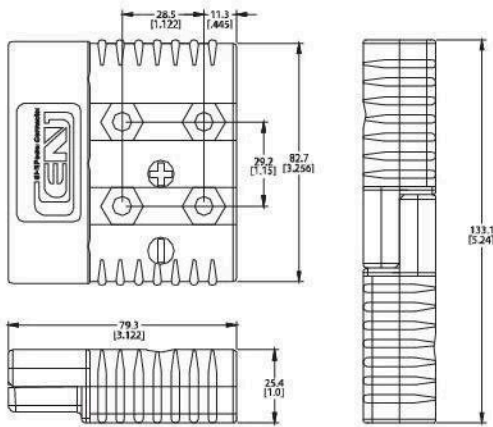
### SE175 Housing/SE175胶壳



| Part Number<br>零件料号 | Housing Color<br>胶壳颜色 |
|---------------------|-----------------------|
| SE943               | Yellow 黄色             |
| SE942               | Orange 橙色             |
| SE949               | Red 红色                |
| SE940               | Gray 灰色               |
| SE941               | Blue 蓝色               |
| SE2-752G11          | Black 黑色              |

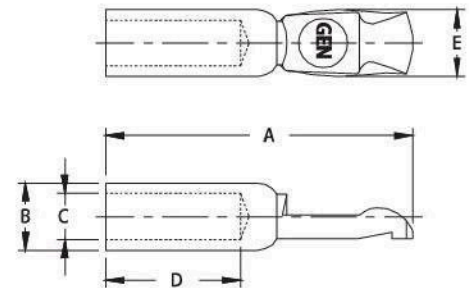
单位:[英寸] 毫米  
DIMENSIONS ARE:[INCH] MM

### SE175 3Pole Housing/SE175 3极胶壳



| Part Number<br>零件料号 | Housing Color<br>胶壳颜色 |
|---------------------|-----------------------|
| SEP949              | Red 红色                |
| SEP940              | Gray 灰色               |

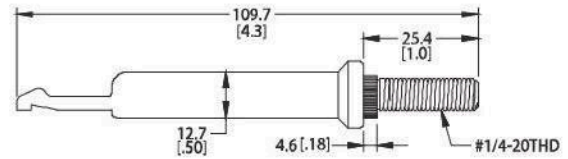
### SE175Contact /SE175端子



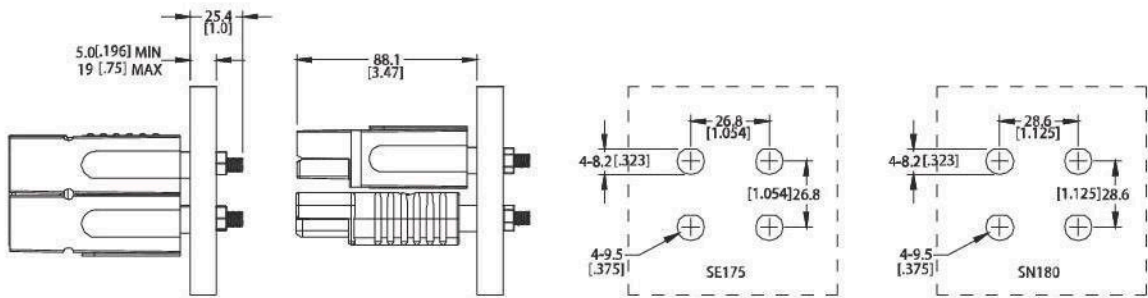
| Part Numbers<br>料号 | Mating Force<br>锁紧力 | Wire Size/线径 |                 | -A-  |      | -B-  |      | -C-  |      | -D-  |      | -E-  |      |
|--------------------|---------------------|--------------|-----------------|------|------|------|------|------|------|------|------|------|------|
|                    |                     | AWG          | mm <sup>2</sup> | Inch | mm   | Inch | mm   | Inch | mm   | Inch | mm   | Inch | mm   |
| SE1382             | High 高              | 1/0          | 53.5            | 2.33 | 59.2 | 0.52 | 13.2 | 0.44 | 11.2 | 1.04 | 26.4 | 0.52 | 13.2 |
| SE1383             | High 高              | 2            | 33.6            | 2.33 | 59.2 | 0.52 | 13.2 | 0.35 | 8.9  | 1.04 | 26.4 | 0.52 | 13.2 |
| SE1384             | High 高              | 4            | 21.1            | 2.33 | 59.2 | 0.52 | 13.2 | 0.30 | 7.6  | 1.04 | 26.4 | 0.52 | 13.2 |

### 180A Busbar/180A板端端子

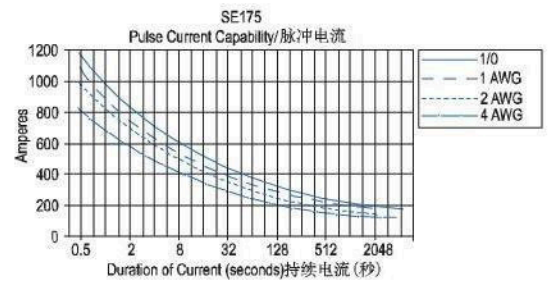
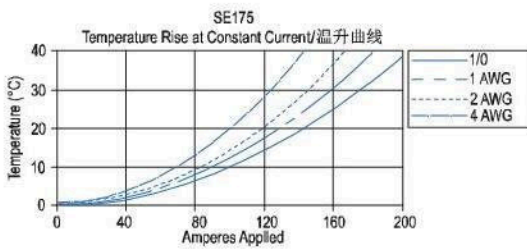
| Part Numbers<br>料号 | Description<br>描述 |
|--------------------|-------------------|
| SN180BBS           | Silver 镀银         |



### Mounting dimensions/安装尺寸

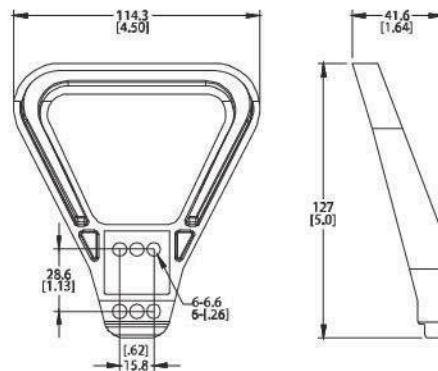


### Temperature rise charts /温升曲线图



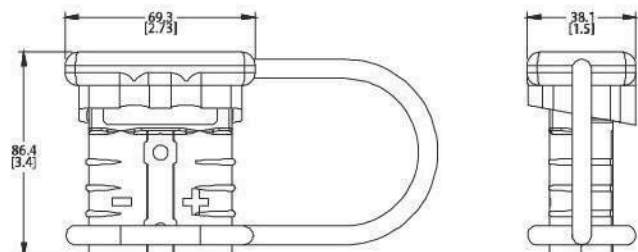
### Frame Handle /框架手柄

| Part Numbers<br>料号 | Color<br>颜色 |
|--------------------|-------------|
| SE995G1            | Gray 灰色     |
| SE995G3            | Red 红色      |



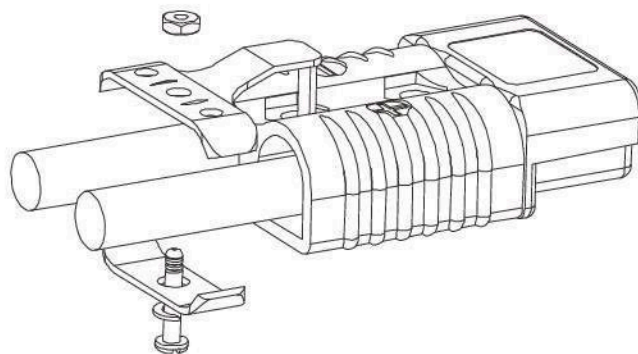
### Dust Cover /防尘帽

| Part Numbers<br>料号 | Color<br>颜色 |
|--------------------|-------------|
| SE134G2            | Red 红色      |

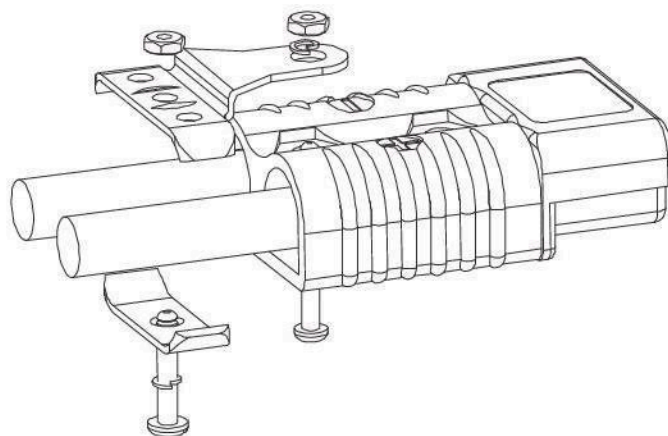


## Cable Clamps /线扣

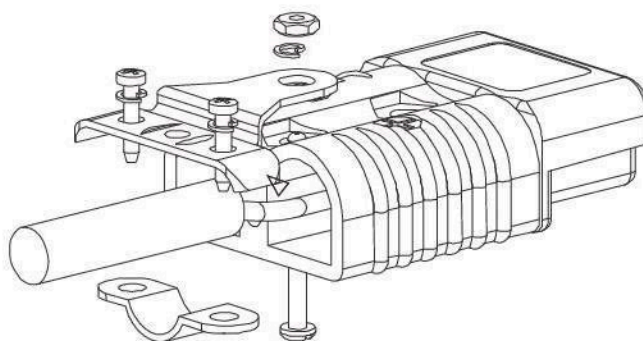
| Part Numbers<br>料号 | Description<br>描述                           |
|--------------------|---|
| SE945              | Self attaching discrete conductor<br>自连接单导线 |



| Part Numbers<br>料号 | Description<br>描述                     |
|--------------------|---------------------------------------|
| SE945G3            | Bolt on discrete conductor<br>螺栓连接单导线 |

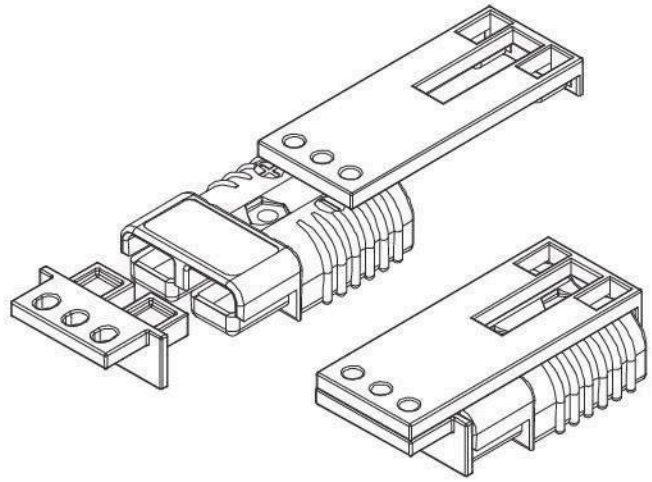


| Part Numbers<br>料号 | Description<br>描述                        |
|--------------------|--|
| SE946G1            | Bolt on bundled conductors<br>螺栓连接分裂式双导线 |



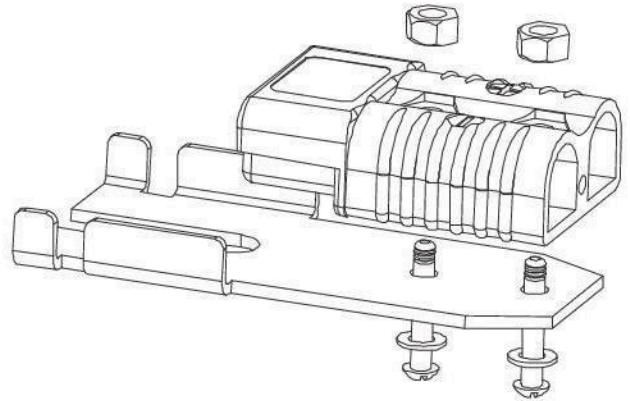
Lockout /接口闭锁

| Part Numbers<br>料号 | Color<br>颜色 |
|--------------------|-------------|
| SE175LOCKOUT       | Red 红色      |



Manual Release Bracket /手动释放支架

| Part Numbers<br>料号 | Description<br>描述    |
|--------------------|----------------------|
| SE924              | Mounting Side<br>安装面 |



| Part Numbers<br>料号 | Description<br>描述   |
|--------------------|---------------------|
| SE923              | Locking Side<br>锁定面 |

