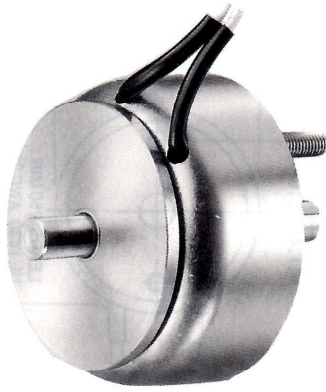
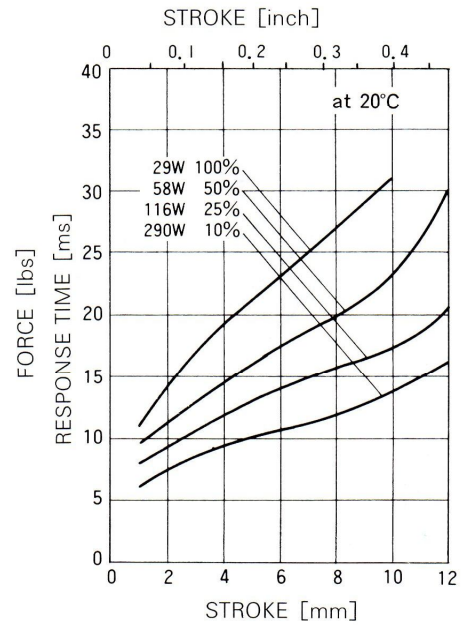
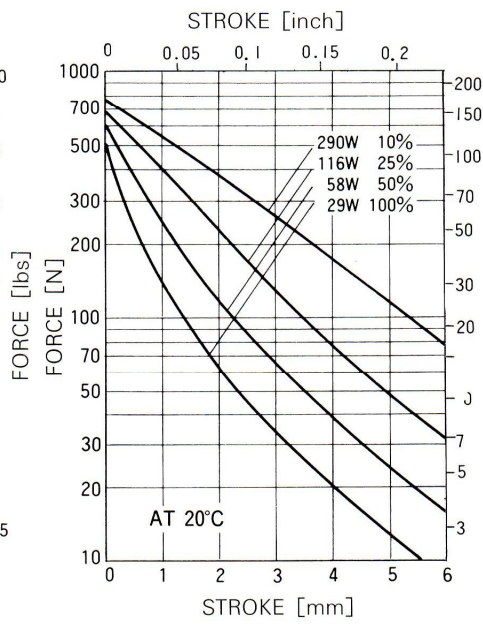
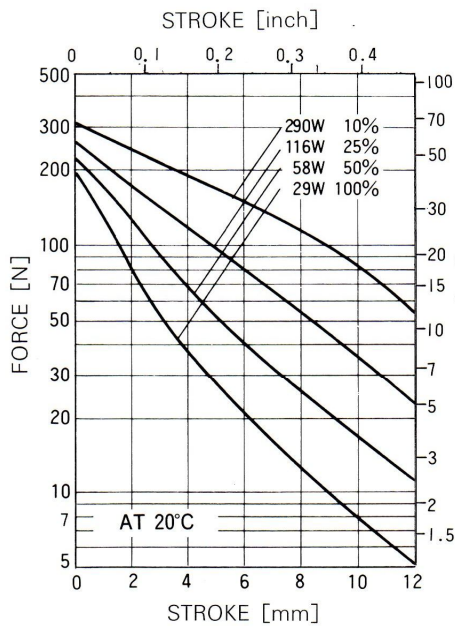
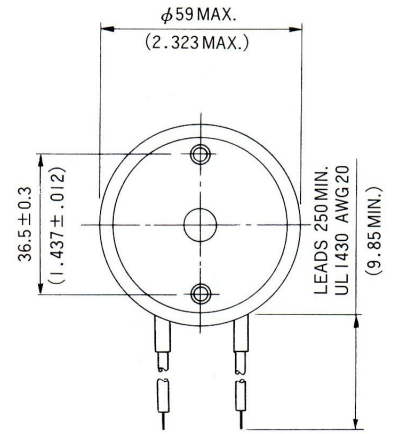
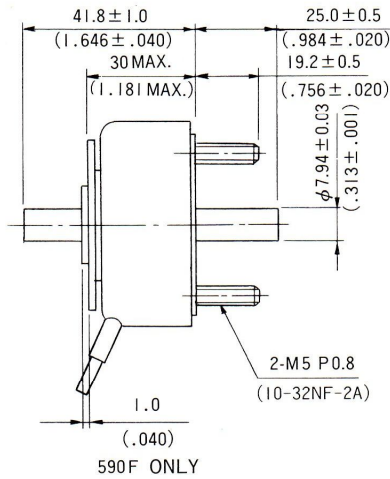


SIZE590C, 590F PUSH PULL SOLENOID

UNIT : $\frac{\text{mm}}{\text{inch}}$
SHOWN ENERGIZED



WEIGHT : 506g
PLUNGER (C) : 120g
PLUNGER (F) : 95g



COIL DATA

Heat sink : 310×310×3mm aluminum

duty cycle = $\frac{\text{"on" time}}{\text{"on" time} + \text{"off" time}} \times 100\%$		100% continuous	50% or less	25% or less	10% or less
MAX. "on" time in seconds		∞	87	36	13
watts at 20°C		29	58	116	290
ampere-turns at 20°C		1240	1760	2490	3920
AWG no.	resistance $\Omega \pm 10\%$ (at 20°C)	no. turns	volts DC		
22	2.23	336	8.3	12	16
23	3.6	432	10	15	21
24	5.24	500	13	18	26
25	9.51	708	16	23	33
26	14.4	858	21	29	41
27	23.7	1110	26	37	52
28	38.2	1411	33	47	66
29	54.7	1638	41	59	83
30	93.7	2184	52	74	104
31	143	2645	66	93	131
32	223	3328	83	117	165
33	338	4004	104	147	208
34	550	5088	131	185	262
35	790	5860	165	233	330
36	1233	7260	208	294	-