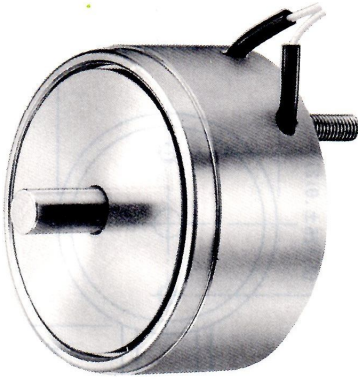
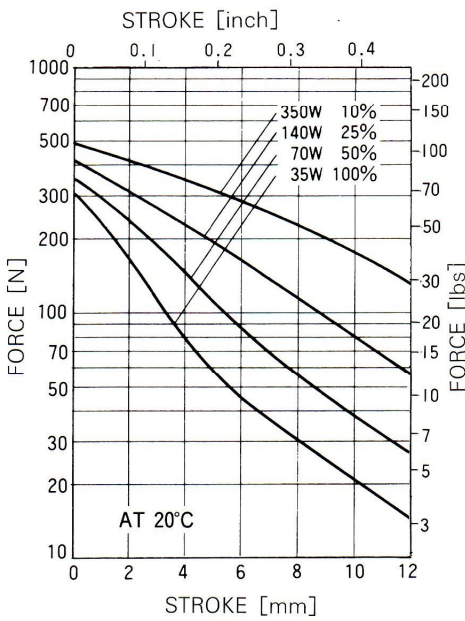
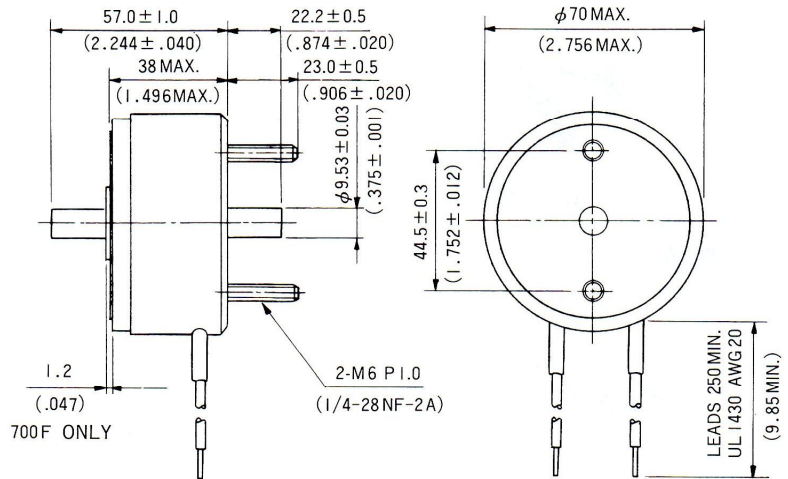


# SIZE700C, 700F PUSH PULL SOLENOID

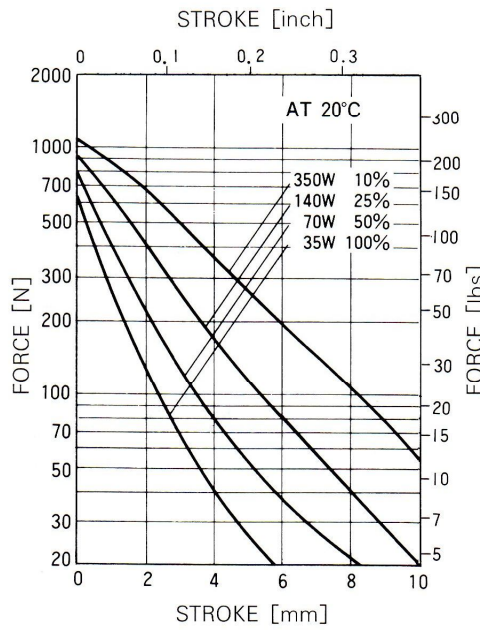
UNIT :  $\frac{\text{mm}}{\text{inch}}$   
SHOWN ENERGIZED



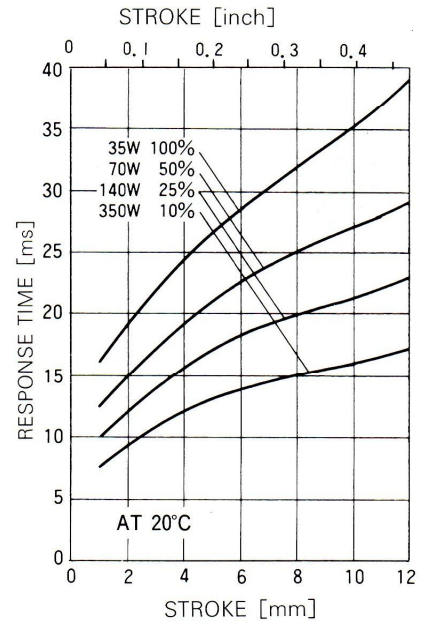
WEIGHT : 1,013g  
PLUNGER (C) : 268g  
PLUNGER (F) : 285g



STROKE - FORCE (700C)



STROKE - FORCE (700F)



STROKE - RESPONSE TIME

## COIL DATA

Heat sink : 390×390×3mm aluminum

duty cycle = $\frac{\text{"on" time}}{\text{"on" time} + \text{"off" time}} \times 100\%$			100% continuous	50% or less	25% or less	10% or less
MAX. "on" time in seconds			∞	80	38	16
watts at 20°C			35	70	140	350
ampere-turns at 20°C			1570	2230	3150	5000
AWG no.	resistance $\Omega \pm 10\%$ (at 20°C)	no. turns	volts DC			
20	1.88	368	8	11	16	26
21	3.01	468	10	14	20	32
22	4.82	580	13	18	26	41
23	8.1	780	16	23	33	52
24	12.3	949	20	29	41	65
25	19	1148	26	37	52	83
26	30.8	1472	33	46	66	105
27	48.8	1854	41	59	83	132
28	81.1	2436	52	75	105	166
29	121	2944	64	92	130	206
30	190	3650	82	118	166	264
31	275	4175	104	147	209	331
32	440	5792	119	170	240	-
33	735	7000	165	235	331	-
34	995	7600	204	288	-	-