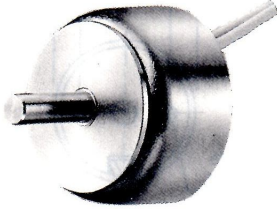
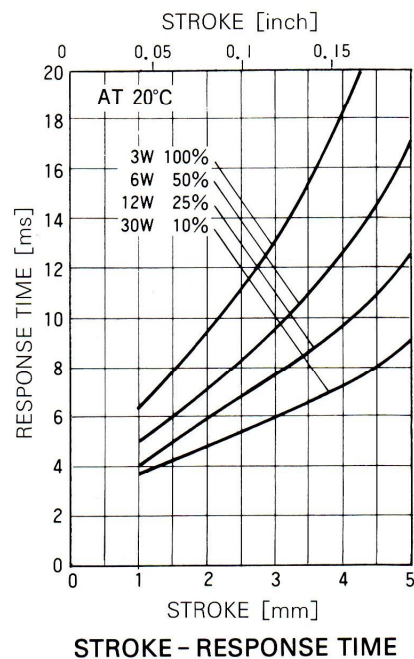
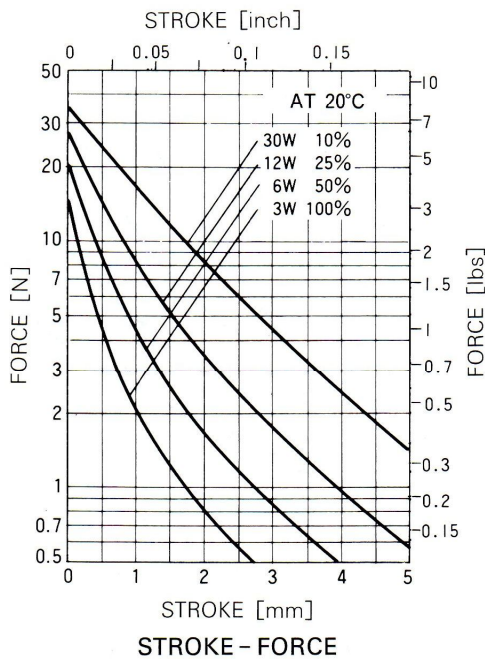
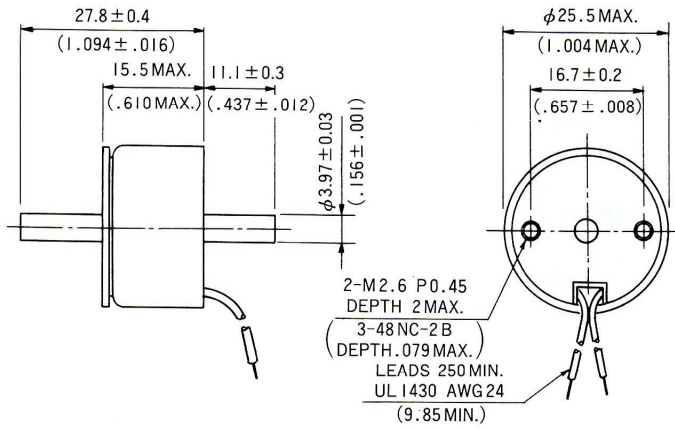


# SIZE251C SMALL PUSH PULL SOLENOID

UNIT :  $\frac{\text{mm}}{\text{inch}}$   
SHOWN ENERGIZED



WEIGHT : 47g  
PLUNGER : 11g



## COIL DATA

without heat sink

	duty cycle = $\frac{\text{"on" time}}{\text{"on" time} + \text{"off" time}} \times 100\%$		100% continuous	50% or less	25% or less	10% or less
	MAX. "on" time in seconds		∞	100	36	7
	watts at 20°C		3	6	12	30
	ampere-turns at 20°C		240	339	480	758
type no.	resistance $\Omega \pm 10\%$ (at 20°C)	no. turns	volts DC			
M251C-3V F251C-3V	3.3	285	3	4.2	6	9.5
M251C-6V F251C-6V	13	570	6	8.5	12	19
M251C-12V F251C-12V	51	1090	12	17	24	38
M251C-24V F251C-24V	228	2250	24	34	48	76