





<b>Introduction</b>	개요 (Overview)	5	
	품명구성 (Ordering Information)	6	
	기술적 정보 (Technical Data)	7	
<b>MIL-DTL-26482 Series I Style</b>	MIL-DTL-26482 Series I Style (Solder Type)	Wall Mounting Receptacle (YH3100)	8
		Cable Connecting Plug (YH3111)	9
		Jam Nut Receptacle (YH3114)	10
		Straight Plugs (YH3116)	11
		Box Mounting Receptacle (YH3112)	12
		Thru-Bulkhead Receptacle (YH3119)	12
<b>MIL-DTL-26482 Series I Style (Accessories)</b>	Plug Protection Cap (YH3180)	13	
	Receptacle Protection Cap (YH3181)	14	
	Dummy Stowage Receptacle (YH3115)	15	
<b>MIL-DTL-26482 Series I Style Panel Cutout</b>	Box and Wall Mounting Receptacle	16	
	Jam Nut Receptacle	16	
<b>MIL-DTL-26482 Series I Style 절연체 회전위치 (Alternate Insert Positions)</b>		17	
<b>MIL-DTL-26482 Series I Style 접촉 배열도 (Contact Arrangements)</b>		18	





## 개요 (Overview)

본 커넥터는 소형으로서 전기적, 기계적 및 환경적 특성이 우수하여 주로 군용통신장비에 널리 쓰이고 있으며, 5개소의 안내키(Guide Key)가 있어 확실하고 안정된 결합이 이루어지는 커넥터입니다. 또한 Bayonet Coupling 방식으로 착탈이 되므로 결합시간이 매우 짧고 진동에도 풀리지 않는 장점이 있습니다. 본 팜프렛은 여러 종류의 소형 커넥터 중에서 Cable의 접속을 납땜(Soldering)으로 하는 MS3110 Series의 'E' CLASS를 기준하였으며, 기타 다른 Type, 등급, 형상, 접속배열 등에 관하여는 별도로 문의하여 주십시오.

The MIL-DTL-26482 Style is a compact connector widely used in military communications equipment due to its excellent electrical, mechanical, and environmental characteristics. The five different guide keys allow accurate and stable coupling. Also, the Bayonet coupling method allows it to be put on and off easily. As a result, the coupling time is cut down to a minimum and left unaffected by vibrations. This pamphlet based the MS3110 Series Class "E" connector, which uses Soldering type to connect to cables, as the standard model. If you have any inquiries on different types, class, shape, or connection arrangements please contact us separately.

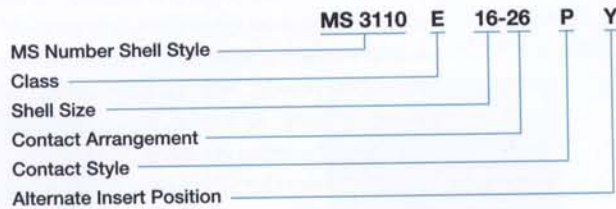
# YH series

MIL-DTL-26482 Series I Style Connector  
ISO9001/ISO14001



## 품명구성 (Ordering Information)

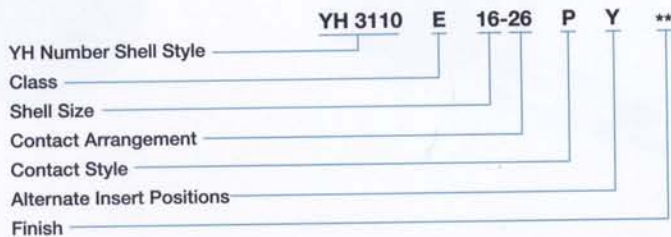
### Military Nomenclature



- **MS Number Shell Style**  
MS3110 - Wall Mounting Receptacle  
MS3111 - Cable Connecting Plug  
MS3112 - Box Mounting Receptacle (Class E Only)  
MS3114 - Jam Nut Receptacle  
MS3116 - Straight Plug  
MS3119 - Thru-Bulkhead Receptacle (Class E Only)•
- **Class**  
A - General Duty (not MS Approved)  
E - Grommet seal except on 3112 (MS Specification)  
F - Grommet seal with strain relief (MS Specification)  
P - Potted (MS Specification)

- **Shell Size**  
8, 10, 12, 14, 16, 18, 20, 22, 24
- **Contact Arrangement**  
MIL-STD-1669
- **Contact Style**  
P - Pin  
S - Socket
- **Alternate Insert Positions**  
N (Normal), W, X, Y, Z (MIL-STD-1669)

### Yeonhab Nomenclature

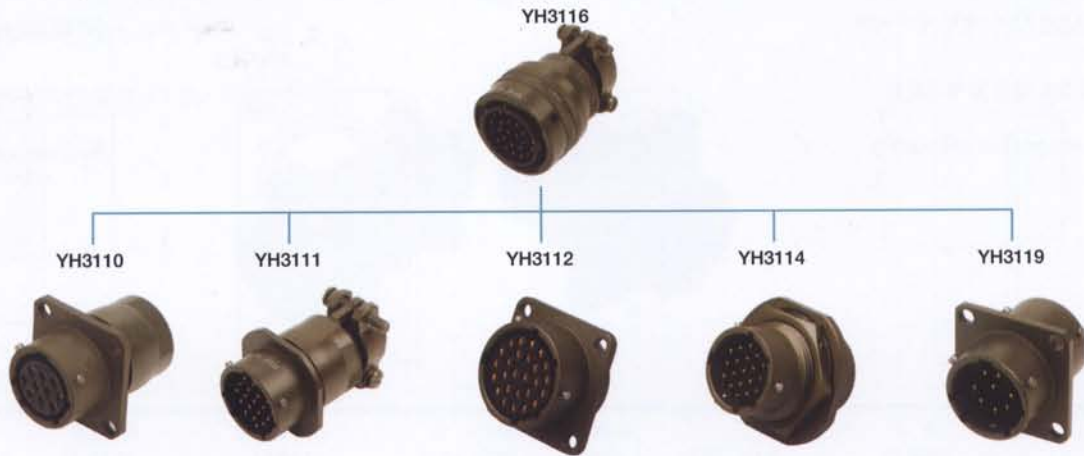


- **YH Number Shell Size**  
YH3110 - Wall Mounting Receptacle  
YH3111 - Cable Connecting Plug  
YH3112 - Box Mounting Receptacle (Class E Only)  
YH3114 - Jam Nut Receptacle  
YH3116 - Straight Plug  
YH3119 - Thru-Bulkhead Receptacle (Class E Only)
- **Class**  
A - General Duty (not MS Approved)  
E - Grommet seal except on 3112 (MS Specification)  
F - Grommet seal with strain relief (MS Specification)  
P - Potted (MS Specification)

- **Shell Size**  
8, 10, 12, 14, 16, 18, 20, 22, 24
- **Contact Arrangement**  
MIL-STD-1669 - see page 16

- **Contact Style**  
P - Pin  
S - Socket
- **Alternate Insert Positions**  
N (Normal), W, X, Y, Z (MIL-STD-1669) - see page 15
- **Finish**  
Blank - Conductive Olive Drab Chromate Over Cadmium or Zinc Plate  
01 - Black Anodize  
02 - Electroless Nickel Plate  
03 - Olive Drab Cadmium  
04 - Zinc Cobalt Plate

## 결합안내 (Mating Face View)



## 기술적 정보 (Technical data)

### 표준 재질 및 보호피막 (Standard Materials and Finishes)

Description	Materials and Finishes
몸체 (Shell)	Aluminum alloy, conductive olive drab chromate over cadmium or Zinc finish QQ-P-416
절연체 (Insulator)	Polychloroprene
절연체 패킹 (Grommet and seal)	Polychloroprene
접점 (contacts)	Copper alloy, gold plate per MIL-G-45204 Type II

### 전기적 특성 (Electrical Data)

Wire Range Accommodations		Insulation O.D. Limits		Contact Rating			
contact size	AWG wire size	Min	Max	contact size	Rated Amps	Test Current	Millivolt Drop
20	24, 22, 20	1.52	2.11	20	7.5	7.5	55
16	20, 18, 16	1.68	2.77	16	22.0	13.0	49
12	12, 14	2.46	3.61	12	23.0	20.0	42

### Dielectric Withstanding Voltage

Service Rating	Operating Voltage, Max.			Test Voltage, AC(rms), 60cps		
	AC(rms)	DC	Sea Level	50,000(ft)	70,000(ft)	110,000(ft)
I	600	850	1500	500	375	200
II	1000	1275	2300	750	500	200

사용온도범위 (Operating Temperature Range)	-55°C ~ +125°C
절연저항 (Insulation Resistance)	5000MΩ Min. (at 25°C)
내구성 (Durability)	500 cycle, mate and unmate



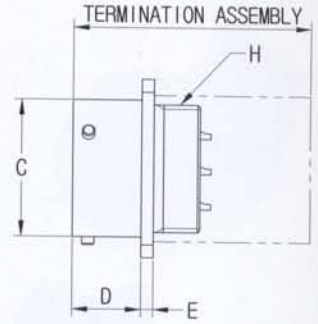
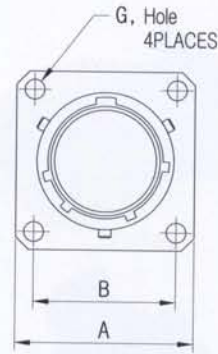
# MIL-DTL-26482 Series I Style (Solder Type)

## Wall Mounting Receptacle (MS3110)

YH3110 CLASS "A", "E", "F", "P"

E, F Type - 절연체 패키징 및 부상포함.

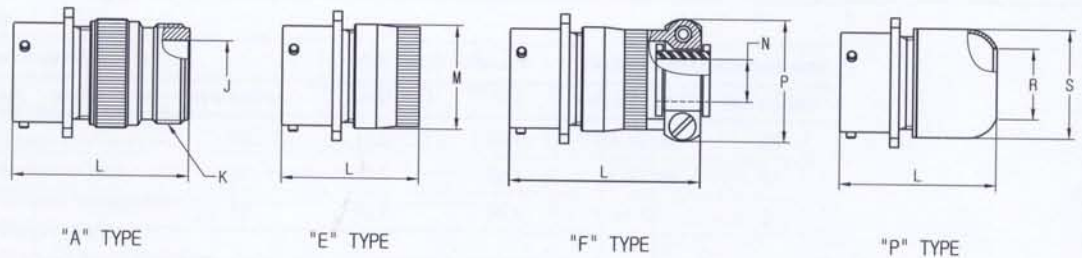
E, F Type - Includes grommet and bushing.



Unit : mm

Shell Size	A Max.	B ±0.10	C Dia. +0.00 -0.15	D +0.79 -0.00	E ±0.41	G Dia. ±0.13	H Thread. (Class: 2A)
8	21.03	15.09	12.04	10.95	1.57	3.05	7/16-28UNEF
10	24.23	18.26	15.01	10.95	1.57	3.05	9/16-24UNEF
12	26.59	20.62	19.08	10.95	1.57	3.05	11/16-24UNEF
14	28.98	23.01	22.25	10.95	1.57	3.05	13/16-20UNEF
16	31.34	24.61	25.43	10.95	1.57	3.05	15/16-20UNEF
18	33.73	26.97	28.60	10.95	1.57	3.05	1 1/16-18UNEF
20	36.91	29.36	31.78	14.12	2.39	3.05	1 3/16-18UNEF
22	40.08	31.75	34.95	14.12	2.39	3.05	1 5/16-18UNEF

## Termination Assembly



Unit : mm

Shell Size	CLASS "A"			CLASS "E"		CLASS "F"			CLASS "P"		
	L Max.	J Dia.	K Thread. (Class: 2A)	L Max.	M Dia. Max.	L Max.	N Dia. Min.	P Max.	L Max.	R Dia. Min.	S Dia. Max.
8	36.68	8.15	1/2-28UNEF	33.73	15.44	48.82	2.92	21.03	36.91	8.05	15.44
10	36.68	11.84	5/8-24UNEF	33.73	18.64	48.82	4.52	22.63	36.91	11.02	18.64
12	36.68	15.01	3/4-20UNEF	33.73	21.79	48.82	7.67	25.81	36.91	13.92	21.79
14	36.68	19.05	7/8-20UNEF	33.73	24.99	48.82	9.27	28.98	36.91	17.09	24.99
16	36.68	21.08	1-20UNEF	33.73	28.19	51.99	12.45	30.56	36.91	20.27	28.19
18	36.68	24.08	1 3/16-18UNEF	33.73	31.34	52.78	15.62	37.31	36.91	22.83	31.34
20	43.89	26.49	1 3/16-18UNEF	38.89	34.54	59.54	15.62	37.31	42.47	26.01	34.54
22	43.89	30.43	1 7/16-18UNEF	38.89	37.69	59.54	18.80	42.06	42.47	29.18	37.69

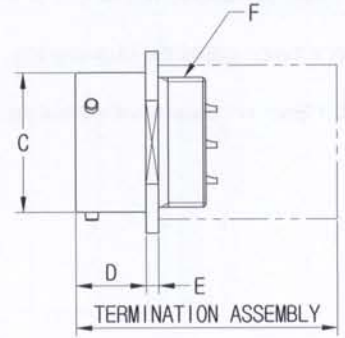
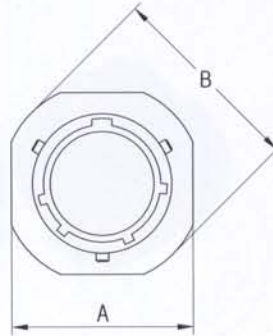
# MIL-DTL-26482 Series I Style (Solder Type)

## Cable Connecting Plug (MS3111)

YH3111 CLASS "A", "E", "F", "P"

E, F Type - 절연체 패킹 및 부싱포함.

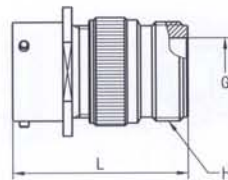
E, F Type - Includes grommet and bushing.



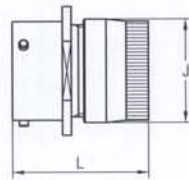
Unit: mm

Shell Size	A Max.	B Dia. ±0.51	C Dia. +0.00 -0.15	D +0.79 -0.00	E ±0.41	F Thread. (Class: 2A)
8	21.03	23.83	12.04	10.16	2.39	7/16-28UNEF
10	24.23	26.97	15.01	10.16	2.39	9/16-24UNEF
12	26.59	29.36	19.08	10.16	2.39	11/16-24UNEF
14	28.98	31.75	22.25	10.16	2.39	13/16-20UNEF
16	31.34	34.14	25.43	10.16	2.39	15/16-20UNEF
18	33.73	36.53	28.60	10.16	2.39	1 1/16-18UNEF
20	36.91	39.67	31.78	13.59	2.92	1 3/16-18UNEF
22	40.08	42.88	34.95	13.59	2.92	1 5/16-18UNEF

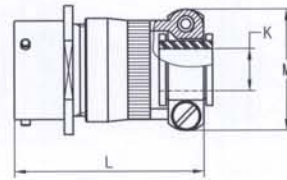
## Termination Assembly



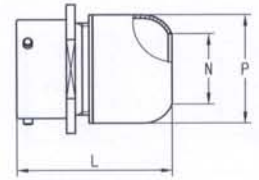
"A" TYPE



"E" TYPE



"F" TYPE



"P" TYPE

Unit: mm

Shell Size	CLASS "A"			CLASS "E"		CLASS "F"			CLASS "P"		
	L Max.	G Dia. Min.	H Thread. (Class: 2A)	L Max.	J Dia. Max.	L Max.	K Dia. Min.	M Max.	L Max.	N Dia. Min.	P Dia. Max.
8	36.68	8.15	1/2-28UNEF	33.73	15.44	48.82	2.92	21.03	36.91	8.05	15.44
10	36.68	11.84	5/8-24UNEF	33.73	18.64	48.82	4.52	22.63	36.91	11.02	18.64
12	36.68	15.01	3/4-20UNEF	33.73	21.79	48.82	7.67	25.81	36.91	13.92	21.79
14	36.68	19.05	7/8-20UNEF	33.73	24.99	48.82	9.27	28.98	36.91	17.09	24.99
16	36.68	21.08	1-20UNEF	33.73	28.19	51.99	12.45	30.56	36.91	20.27	28.19
18	36.68	24.08	1 3/16-18UNEF	33.73	31.34	52.78	15.62	37.31	36.91	22.83	31.34
20	43.89	26.49	1 3/16-18UNEF	38.89	34.54	59.54	15.62	37.31	42.47	26.01	34.54
22	43.89	30.43	1 7/16-18UNEF	38.89	37.69	59.54	18.80	42.06	42.47	29.18	37.69



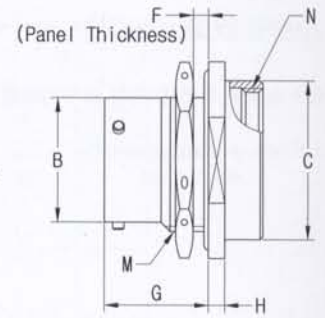
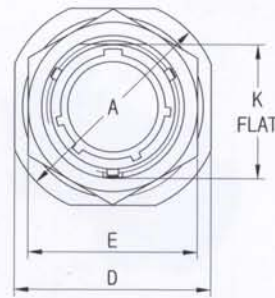
# MIL-DTL-26482 Series I Style (Solder Type)

## Jam Nut Receptacle (MS3114)

YH3114 CLASS "A", "E", "F", "P"

E, F TYPE - 절연체 패킹 및 부싱 포함.

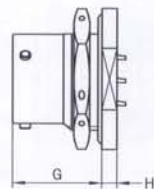
E, F Type - Includes grommet and bushing.



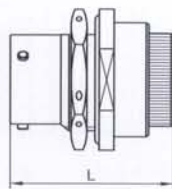
Unit: mm

Shell Size	A Dia.	B Dia.	C Dia.	D	E	F		G	H	K Flat.	M Thread.	N Thread.
	+0.00 -0.81	+0.00 -0.15	Max.	Max.	±0.43	Min.	Max.	+0.79 -0.00	±0.51	+0.00 -0.25	(Class: 2A)	(Class: 2B)
8	27.38	12.04	15.44	24.23	19.05	1.57	3.17	17.55	2.97	13.46	9/16-24UNEF	5/8-24UNEF
10	30.56	15.01	18.64	27.38	22.22	1.57	3.17	17.55	2.97	16.64	11/16-24UNEF	3/4-24UNEF
12	35.33	19.08	21.79	32.16	26.97	1.57	3.17	17.55	2.97	20.78	7/8-20UNEF	7/8-20UNEF
14	38.51	22.25	24.99	35.33	30.17	1.57	3.17	17.55	2.97	23.93	1-20UNEF	1-20UNEF
16	41.68	25.43	28.19	38.51	33.32	1.57	3.17	17.55	2.97	27.08	1 1/8-18UNEF	1 1/8-18UNEF
18	44.86	28.60	31.34	41.68	36.25	1.57	3.17	17.55	2.97	30.25	1 1/4-18UNEF	1 1/4-18UNEF
20	49.63	31.78	34.54	46.43	39.67	1.57	6.35	22.33	3.76	33.43	1 3/8-18UNEF	1 3/8-18UNEF
22	52.78	34.95	37.69	49.63	42.87	1.57	6.35	22.33	3.76	36.60	1 1/2-18UNEF	1 1/2-18UNEF
24	55.96	38.13	40.89	52.78	46.02	1.57	6.35	23.16	3.76	39.78	1 5/8-18UNEF	1 5/8-18UNEF

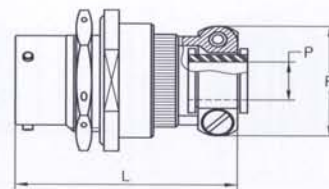
## Termination Assembly



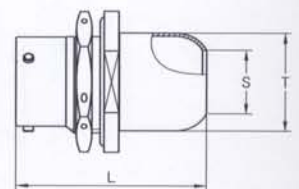
"A" TYPE



"E" TYPE



"F" TYPE



"P" TYPE

Unit: mm

Shell Size	CLASS "A"		CLASS "E"		CLASS "F"		CLASS "P"		
	G	H	L	L	P	R	L	S Dia.	T Dia.
	+0.79 -0.00	±0.51	Max.	Max.	Min.	Max.	Max.	Min.	Max.
8	17.55	2.97	34.14	48.41	2.92	21.03	35.33	8.05	15.44
10	17.55	2.97	34.14	48.41	4.52	22.63	35.33	11.02	18.64
12	17.55	2.97	34.14	48.41	7.67	25.81	35.33	13.92	21.79
14	17.55	2.97	34.14	48.41	9.27	28.98	35.33	17.09	24.99
16	17.55	2.97	34.14	51.99	12.45	30.56	35.33	20.27	28.19
18	17.55	2.97	34.14	52.78	15.62	37.31	35.33	22.83	31.34
20	22.33	3.76	40.49	59.13	15.62	37.31	41.68	26.01	34.54
22	22.33	3.76	40.49	59.13	18.80	42.06	41.68	29.18	37.69
24	23.16	3.76	41.68	62.31	20.07	44.45	43.26	32.36	40.89

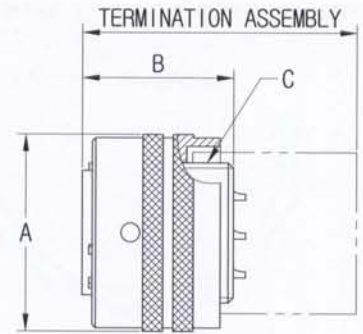
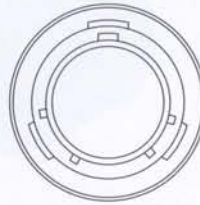
# MIL-DTL-26482 Series I Style (Solder Type)

## Straight Plugs (MS3116)

YH3116 CLASS "A", "E", "F", "P"

E, F TYPE - 절연체 패킹 및 부싱포함.

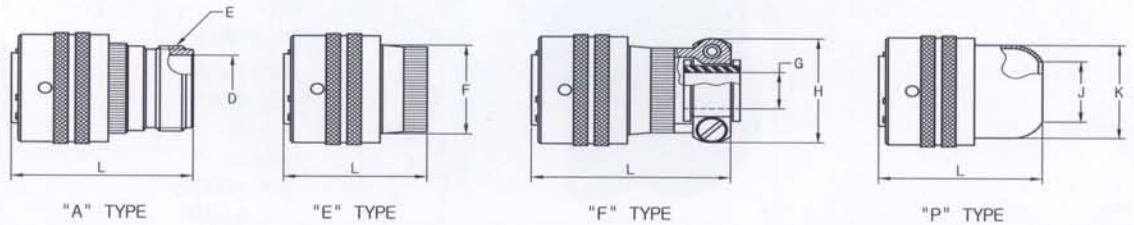
E, F Type - Includes grommet and bushing.



Unit: mm

Shell Size	A Dia. Max.	B Max.	C Thread. (Class: 2A)
8	19.86	21.0	7/16-28UNEF
10	23.52	21.0	9/16-24UNEF
12	26.49	21.0	11/16-24UNEF
14	30.05	21.0	13/16-20UNEF
16	33.15	21.0	15/16-20UNEF
18	35.33	21.0	1 1/16-18UNEF
20	38.89	25.5	1 3/16-18UNEF
22	42.09	25.5	1 5/16-18UNEF
24	45.13	25.5	1 7/16-18UNEF

## Termination Assembly



Unit: mm

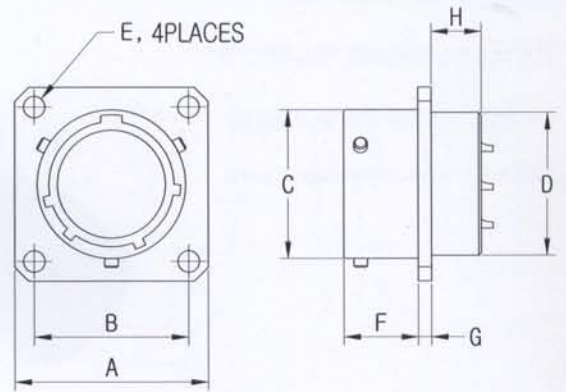
Shell Size	CLASS "A"			CLASS "E"		CLASS "F"			CLASS "P"		
	L Max.	D Dia. Max.	E Thread. (Class: 2A)	L Max.	F Dia. Max.	L Max.	G Dia. Min.	H Max.	L Max.	J Dia. Min.	K Dia. Max.
8	36.68	8.15	1/2-28UNEF	33.73	15.44	48.82	2.92	21.03	36.91	8.05	15.44
10	36.68	11.84	5/8-24UNEF	33.73	18.64	48.82	4.52	22.63	36.91	11.02	18.64
12	36.68	15.01	3/4-20UNEF	33.73	21.79	48.82	7.67	25.81	36.91	13.92	21.79
14	36.68	19.05	7/8-20UNEF	33.73	24.99	48.82	9.27	28.98	36.91	17.09	24.99
16	36.68	21.08	1-20UNEF	33.73	28.19	51.99	12.45	30.56	36.91	20.27	28.19
18	36.68	24.08	1 3/16-18UNEF	33.73	31.34	52.78	15.62	37.31	36.91	22.83	31.34
20	43.89	26.49	1 3/16-18UNEF	38.89	34.54	59.54	15.62	37.31	42.47	26.01	34.54
22	43.89	30.43	1 7/16-18UNEF	38.89	37.69	59.54	18.80	42.06	42.47	29.18	37.69
24	44.15	32.84	1 7/16-18UNEF	40.49	40.89	61.11	20.07	44.45	44.04	32.36	40.89



# MIL-DTL-26482 Series I Style (Solder Type)

## Box Mounting Receptacle (MS3112)

YH3112 CLASS "E"

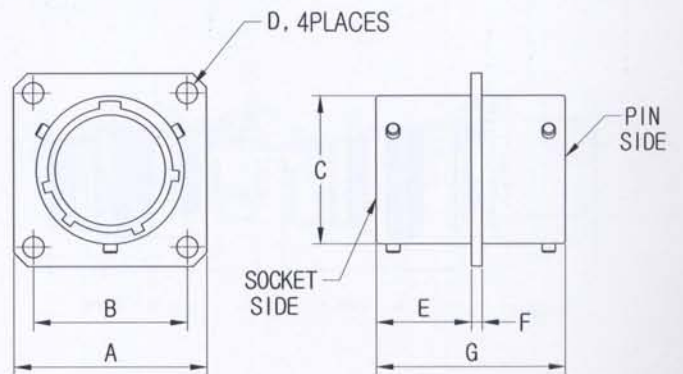


Unit: mm

Shell Size	A Max.	B ±0.10	C Dia. +0.00 -0.15	D Dia. Max.	E Dia. ±0.13	F +0.79 -0.00	G ±0.41	H
8	21.03	15.09	12.04	11.91	3.05	10.95	1.57	8.99
10	24.23	18.26	15.01	15.06	3.05	10.95	1.57	8.99
12	26.59	20.62	19.08	18.26	3.05	10.95	1.57	8.99
14	28.98	23.01	22.25	21.41	3.05	10.95	1.57	8.99
16	31.34	24.61	25.43	24.61	3.05	10.95	1.57	8.99
18	33.73	26.97	28.60	27.76	3.05	10.95	1.57	8.99
20	36.91	29.36	31.78	30.96	3.05	14.12	2.39	10.59
22	40.08	31.75	34.95	34.11	3.05	14.12	2.39	10.59

## Thru-Bulkhead Receptacle (MS3119)

YH3119 CLASS "E"



Unit: mm

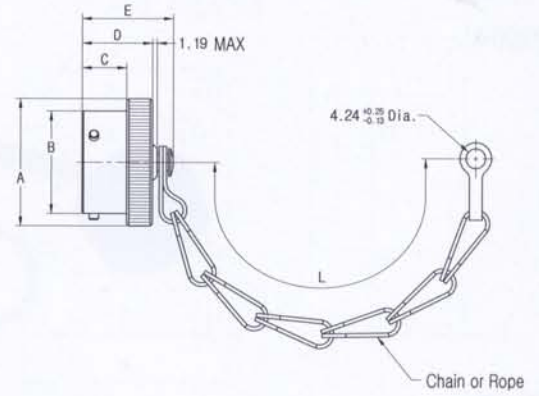
Shell Size	A Max.	B ±0.10	C Dia. +0.00 -0.15	D Dia. ±0.13	E +0.79 -0.00	F ±0.41	G Max.
8	21.03	15.09	12.04	3.05	10.95	1.57	28.58
10	24.23	18.26	15.01	3.05	10.95	1.57	28.58
12	26.59	20.62	19.08	3.05	10.95	1.57	28.58
14	28.98	23.01	22.25	3.05	10.95	1.57	28.58
16	31.34	24.61	25.43	3.05	10.95	1.57	28.58
18	33.73	26.97	28.60	3.05	10.95	1.57	28.58
20	36.91	29.36	31.78	3.05	14.12	2.39	35.71
22	40.08	31.75	34.95	3.05	14.12	2.39	35.71



# MIL-DTL-26482 Series I Style (Accessories)

## Plug Protection Cap (MS 3180)

YH3180



UNIT: mm

Shell Size	A Dia. Max.	B Dia. +0.03 -0.13	C +0.79 -0.00	D Max.	E	L (Standard Length) +12.70 -6.35
8	18.26	12.01	9.35	14.27	19.84	76.20
10	21.44	14.99	9.35	14.27	19.84	76.20
12	25.40	19.05	9.35	14.27	19.84	88.90
14	28.58	22.22	9.35	14.27	19.84	88.90
16	31.75	25.40	9.35	14.27	19.84	88.90
18	34.92	28.58	9.35	14.27	19.84	88.90
20	38.10	31.75	10.92	15.88	21.44	101.60
22	41.28	34.92	10.92	15.88	21.44	101.60

## How To Order

Part Number YH3180 - 12 C A L

Shell Size \_\_\_\_\_

Chain and Rope \_\_\_\_\_

    C-Chain  
    R-Rope  
    N-Chain and Ring

Finish \_\_\_\_\_

    Blank - Olive Drab Chromate Over Cadmium or Zinc Plate  
    A - Hard Anodize  
    02 - Electroless Nickel Palte  
    04 - Zinc Cobalt Plate

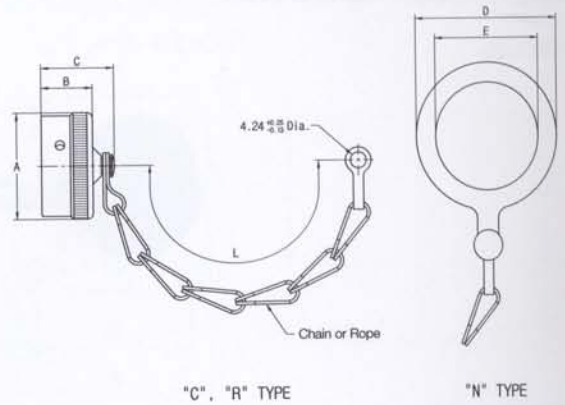
Length \_\_\_\_\_

    L - Length 5 inch (127.0mm)

# MIL-DTL-26482 Series I Style (Accessories)

## Receptacle Protection Cap (MS 3181)

YH3181



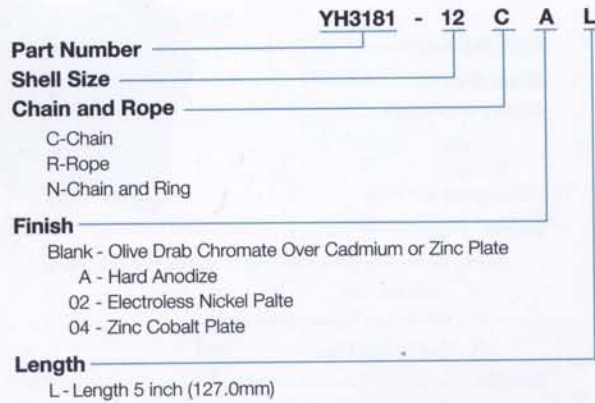
"C", "R" TYPE

"N" TYPE

Unit: mm

Shell Size	A Dia. Max.	B Max.	C Max.	D Dia. Max.	E Dia. Min.	L (Standard Length) +12.70 -6.35
8	18.64	14.27	21.44	20.62	14.68	76.20
10	21.82	14.27	21.44	25.40	17.86	76.20
12	25.40	14.27	21.44	30.18	22.63	88.90
14	28.58	14.27	21.44	36.53	25.81	88.90
16	31.75	14.27	21.44	39.67	28.98	88.90
18	34.92	14.27	21.44	42.88	32.16	88.90
20	38.10	14.27	21.44	46.02	35.33	101.60
22	41.28	14.27	21.44	49.23	38.51	101.60
24	44.45	15.29	22.22	52.37	41.68	101.60

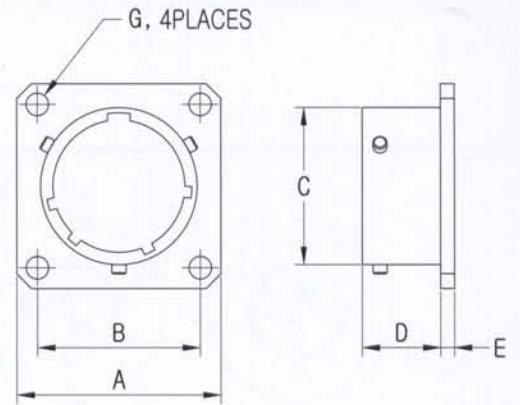
### How To Order



# MIL-DTL-26482 Series I Style (Accessories)

## Dummy Stowage Receptacle (MS3115)

YH3115



Unit: mm

Shell Size	A Max.	B ±0.10	C Dia. +0.00 -0.15	D +0.79 -0.00	E ±0.41	G Dia. ±0.13
8	21.03	15.09	12.04	11.73	1.57	3.05
10	24.23	18.26	15.01	11.73	1.57	3.05
12	26.59	20.62	19.08	11.73	1.57	3.05
14	28.98	23.01	22.25	11.73	1.57	3.05
16	31.34	24.61	25.43	11.73	1.57	3.05
18	33.73	26.97	28.60	11.73	1.57	3.05
20	36.91	29.36	31.78	14.12	2.39	3.05
22	40.08	31.75	34.95	14.12	2.39	3.05
24	43.26	34.92	38.13	14.96	2.39	3.73

### How To Order

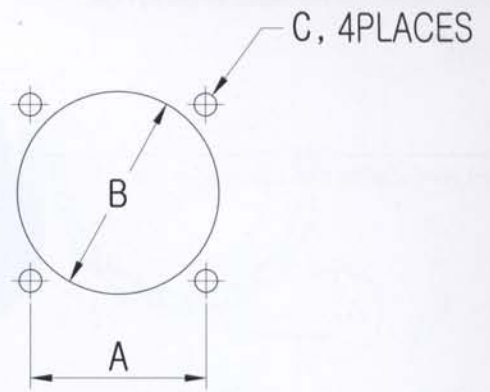
**Part Number** \_\_\_\_\_ **YH3115 - 12 L**  
**Shell Size** \_\_\_\_\_  
**Finish** \_\_\_\_\_  
 A - Hard Anodize  
 L - Electroless Nickel Palte  
 W - Olive Drab Cadmium Over Electroless Plate  
 04 - Zinc Cobalt Plate



# MIL-DTL-26482 Series I Style Panel Cutouts

YH Series  
MIL-DTL-26482 I  
STYLE

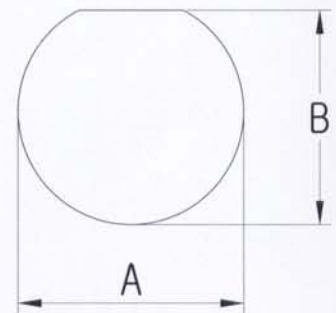
## Box and Wall Mounting Receptacle (Front Mounting)



Unit: mm

Shell Size	A	B Dia. +0.25 -0.00	C Dia. ±0.13
8	15.09	15.70	3.17
10	18.26	18.67	3.17
12	20.62	21.82	3.17
14	23.01	25.02	3.17
16	24.61	28.27	3.17
18	26.97	31.37	3.17
20	29.36	34.57	3.17
22	31.75	37.72	3.17
24	34.92	40.92	3.94

## Jam Nut Receptacle

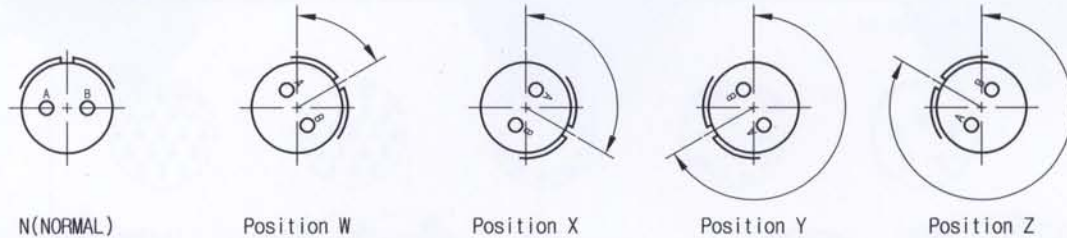


Unit: mm

Shell Size	A Dia. +0.13 -0.00	B +0.25 -0.13
8	14.68	13.72
10	17.86	16.89
12	22.61	21.03
14	25.78	24.18
16	28.96	27.33
18	32.13	30.51
20	35.31	33.68
22	38.48	36.86
24	41.66	40.03

# MIL-DTL-26482 Series I Style 절연체 회전위치 (Alternate Insert Positions)

## Insert Availability and Identification



View looking into front face of pin insert or rear of socket insert.

Shell Size	Contact Arrangement	Service Rating	Total Contacts	Contact Size			Alternate Insert Positions (Degree)			
				20	16	12	W	X	Y	Z
8	8-2	I	2	2			58	122		
	8-3	I	3	3			60	210		
	8-4	I	4	4			45			
	8-33	I	3	3			90			
10	10-6	I	6	6			90			
	10-98	I	5	5			90	180	240	270
12	12-3	II	3	3					180	
	12-8	I	8	8			90	112	203	292
	12-10	I	10	10			60	155	270	295
14	14-5	II	5		5		40	92	184	273
	14-12	I	12	8	4		43	90		
	14-15	I	15	14	1		17	110	155	234
	14-18	I	18	18			15	90	180	270
	14-19	I	19	19			30	165	315	
16	16-8	II	8		8		54	152	180	331
	16-23	I	23	22	1		158	270		
	16-26	I	26	26			60		275	338
	16-99	I	23	21	2		66	156	223	340
18	18-11	II	11		11		62	119	241	340
	18-30	I	30	29	1		180	193	285	350
	18-32	I	32	32			85	138	222	265
20	20-16	II	16		16		238	318	333	347
	20-24	I	24	24			70	145	215	290
	20-27	I	27	27			72	144	216	288
	20-39	I	39	37	2		83	144	252	333
	20-41	I	41	41			45	126	225	
22	22-12	I	12			12				
	22-21	II	21		21		16	135	175	349
	22-32	I	32	32			72	145	215	288
	22-34	I	34	34			62	142	218	298
	22-41	I	41	27	14		39	135	264	
24	22-55	I	55	55			30	142	226	314
	24-61	I	61	61			90	180	270	324

\* Please refer to MIL-STD-1669 for contact arrangements other than the ones in the table.



# MIL-DTL-26482 Series I Style 접점 배열도 (Contact Arrangements)

MIL-DTL-26482 I style

	Shell Size 8				Shell Size 10		Shell Size 12		
Insert Arrangement	8-2	8-3	8-4	8-33	10-6	10-98	12-3	12-8	12-10
Service Rating									
Number of Contacts	2	3	4	3	6	6	3	8	10
Contact Size	20	20	20	20	20	20	16	20	20

	Shell Size 14				Shell Size 16	
Insert Arrangement	14-5	14-12	14-15	14-18	14-19	16-8
Service Rating						
Number of Contacts	5	8 4	14 1	18	19	8
Contact Size	16	20 16	20 16	20	20	16

	Shell Size 16			Shell Size 18		
Insert Arrangement	16-23	16-26	16-99	18-11	18-30	18-32
Service Rating						
Number of Contacts	22 1	26 2	21 2	11	29 1	32
Contact Size	20 16	20	20 16	16	20 16	20

	Shell Size 20				
Insert Arrangement	20-16	20-24	20-27	20-39	20-41
Service Rating					
Number of Contacts	16	24	27	37 2	41
Contact Size	16	20	20	20 16	20

	Shell Size 22				
Insert Arrangement	22-12	22-21	22-32	22-34	22-41
Service Rating					
Number of Contacts	12	21	32	34	27 14
Contact Size	12	16	20	20	20 16

	Shell Size 22	Shell Size 24
Insert Arrangement	22-55	24-61
Service Rating		
Number of Contacts	55	61
Contact Size	20	20

1. View looking into front face of pin insert(+insulator).
2. Please make a direct inquiry for the information not contained in the table.
3. The contact arrangement in the table meets the MIL-STD-1669 standards.

Contact Legend 12 16 20