

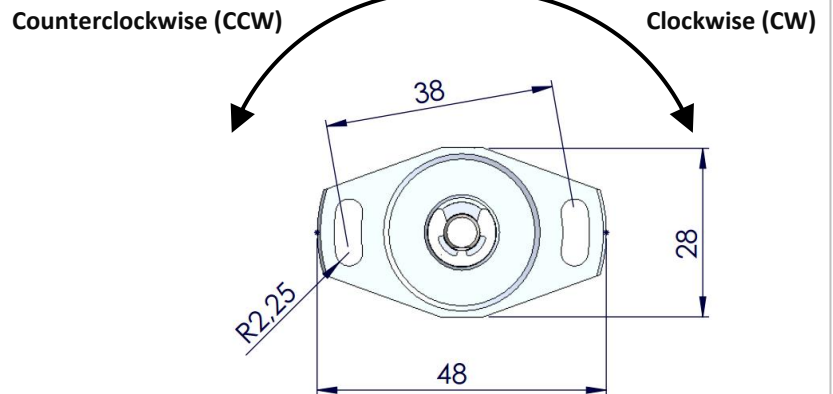
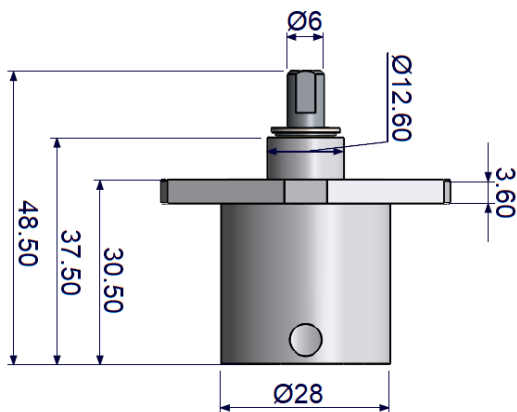


- Compact Dimensions
- Non-contact Measurement
- Very Long Life
- High Accuracy
- Low Noise Level on Output Signal

| Connections   |        |
|---------------|--------|
| - Supply      | Black  |
| + Supply      | Red    |
| Output Signal | Yellow |

| Technical Specification   |   |
|---------------------------|---|
| Power Supply              | 5 VDC $\pm 0,5V$<br>24 VDC $\pm 6V$   |
| Output Signal             | Ratiometric (Supply Voltage 5V $\pm 0,5V$ )<br>Load $\geq 1K\Omega$<br>0,1 ... 10 V ( Supply Voltage 24V $\pm 6V$ )<br>Load $\geq 1K\Omega$<br>4...20 mA ( Supply Voltage 24V $\pm 6V$ )<br>Load 0...250 $\Omega$ |
| Measuring Range           | 0...30, 0...360 (10° steps)   |
| Resolution                | 12 bit  |
| Shaft                     | Stainless Steel   |
| Housing                   | Aluminum  |
| Reverse Voltage           | Yes, only feeder  |
| Maximum operational speed | 120 min <sup>-1</sup>   |
| Accuracy                  | % 0.5   |
| Cable Length              | 500 mm  |
| Temperature Range         | -25 to +85°   |
| Protection Class          | IP 54   |

### Mechanical Dimensions



### Order Code

#### Model

RCS 3100

360

#### Power Supply

TTL : 5VDC  $\pm 0,5V$   
PP : 24 VDC  $\pm 6V$

TTL

V

#### Output Characteristics

CW : Clockwise  
CCW : Anti-Clockwise

CW

0,5M

#### Angle

360 : 0...360°  
30 : 0...30°

#### Output Signal

V : 0...10 V  
A : 4...20 mA

#### Cable Length

0,5M : 0,5 Metre



### Atek Sensor Technology A.S.

Tuzla Kimya Sanayicileri Org. San. Bolg. Melek Aras Bulvari, No:67 34956 Tuzla-Istanbul / TURKEY

Tel: +90 216 399 44 04

Fax: +90 216 399 44 02

[www.ateksensor.com](http://www.ateksensor.com)

[info@ateksensor.com](mailto:info@ateksensor.com)