

300A Monopole Connectors

Technical Specification:

Compact 300A power connectors. Designed to maintain cable performance in terms of electrical and thermal attributes. Ideal for power supply and distribution applications. EMI/RFI shielding options available.

Key Features:

Voltage: 1000V AC RMS 60 Hz / 1500V DC (depends on degree of pollution)

Current: 300A

Coupling: Bayonet

Shell Continuity: <math> < 5\text{m}\Omega </math> (depending on plating finish)

Mechanical endurance: 500+ mating cycles

Configuration: 90° and straight

Polarisation: 5 keys (to avoid mismating)

Termination: Crimp or Screw with a standard cable lug. Copper nickel plated contacts as standard, but can also be supplied in brass or aluminium with gold or silver plating. The contact resistance is less than 0.16 m Ω . This range is designed to accept standard lugs for 30,50 and 70mm² cable

500 Hours salt spray (Zinc nickel passivate)

IPX7

Socket: Free 90° Configuration (Heat Shrink Boots):



Socket: Free 90° Configuration (Cable Glands):



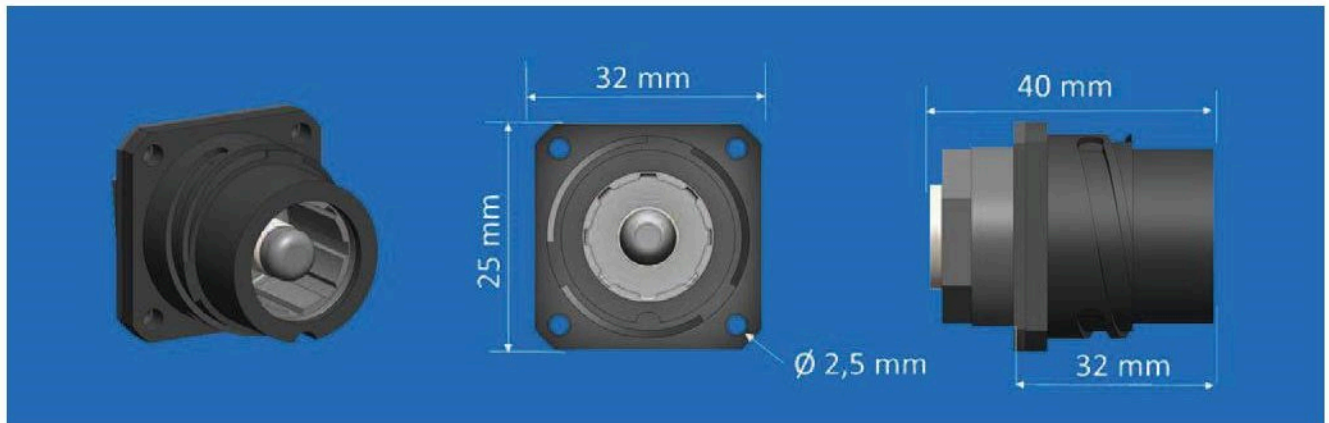
Socket: Straight Configuration (Heat Shrink Boots):



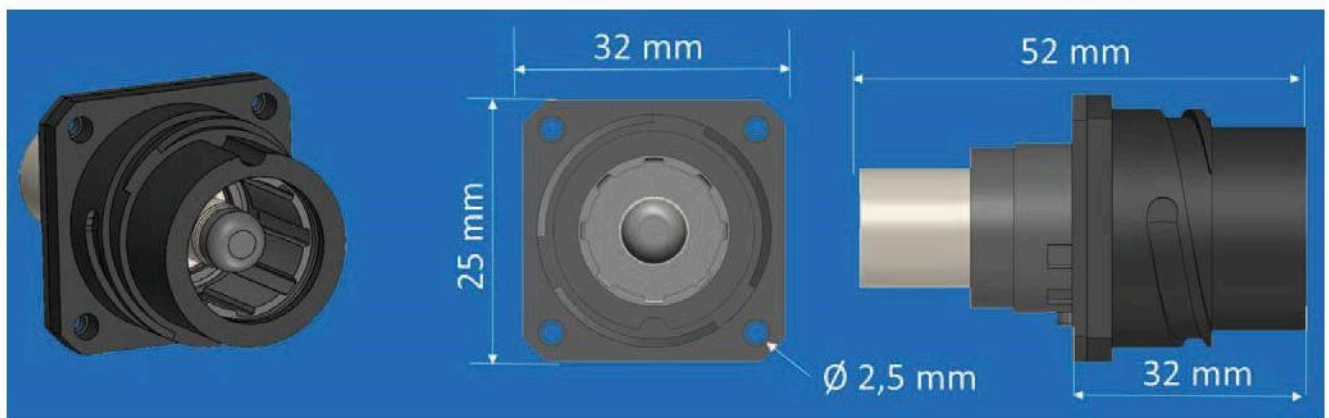
Socket: Straight Configuration (Heat Shrink Boots):



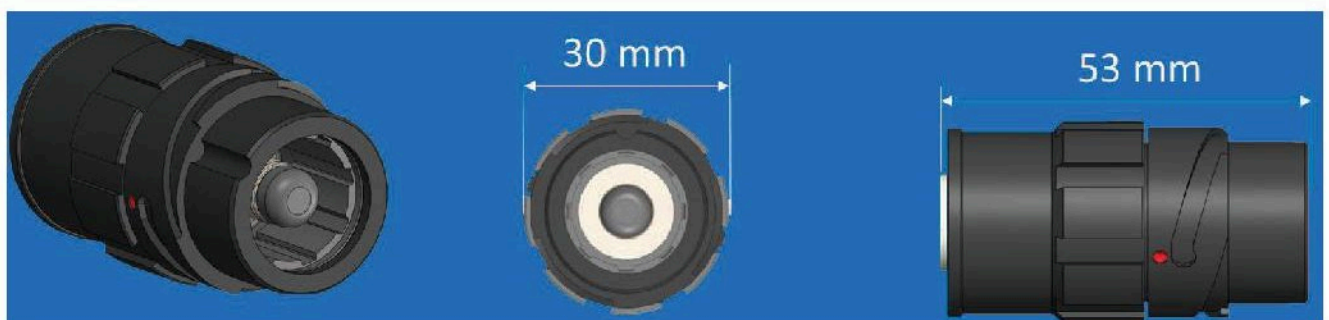
Screw Pin: Fixed Box Configuration (Panel Interface):



Crimp Pin: Fixed Box Configuration (Socket):



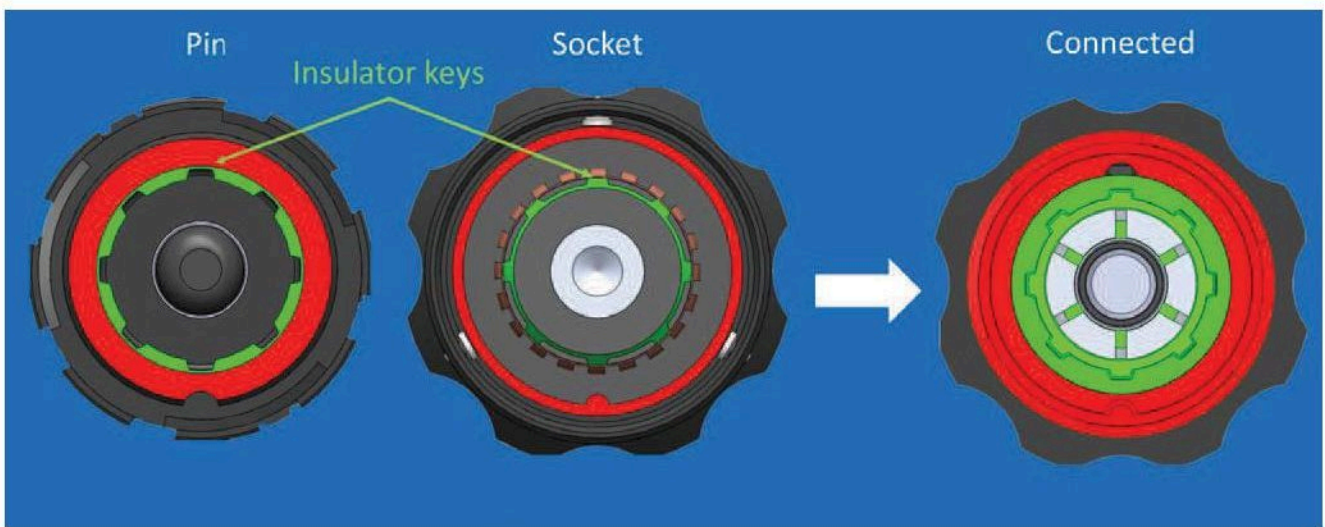
Crimp Pin: Straight Configuration (Heat Shrink Boots):



Crimp Pin: Straight Configuration (Cable Glands):



Polarisation: Up to five different polarised positions available:



Panel Box Application: 90° Configuration, lug on both sizes with Heat Shrink Boots:



Panel Box Application: 90° Configuration, lug and crimp contact with Heat Shrink Boots:



Rating curve according to EN60512-5-2. Tested with 3 sizes of cable and a 1.2 metre length of cable:

