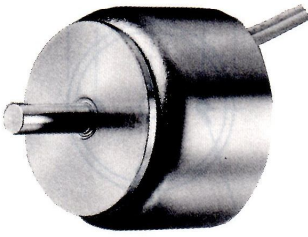
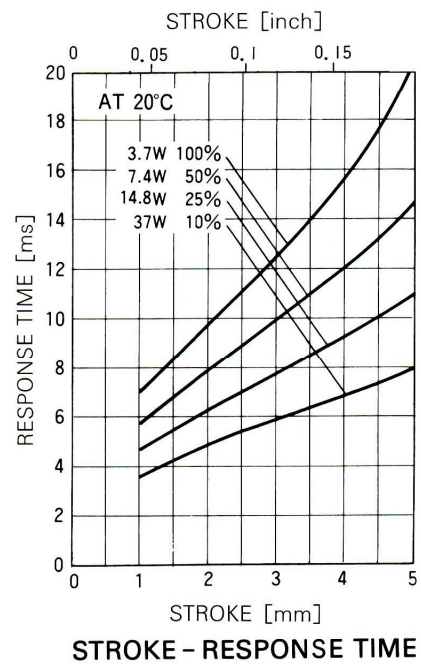
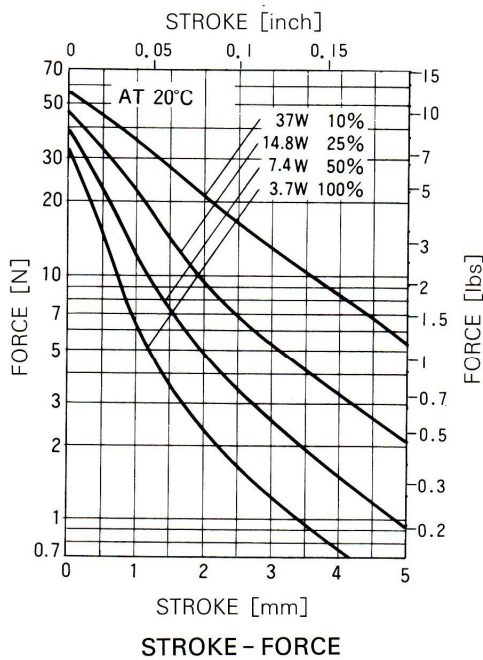
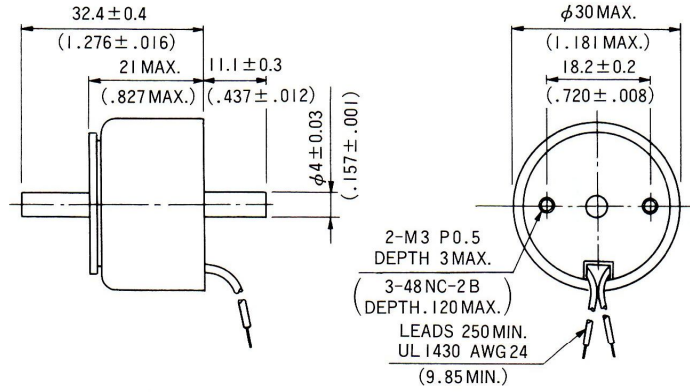


SIZE304C SMALL PUSH PULL SOLENOID

UNIT : $\frac{\text{mm}}{\text{inch}}$
SHOWN ENERGIZED



WEIGHT : 79g
PLUNGER : 15g



COIL DATA

without heat sink

	duty cycle = $\frac{\text{"on" time}}{\text{"on" time} + \text{"off" time}} \times 100\%$		100% continuous	50% or less	25% or less	10% or less
	MAX. "on" time in seconds		∞	100	36	7
	watts at 20°C		3.7	7.4	14.8	37
	ampere-turns at 20°C		320	452	640	1012
type no.	resistance $\Omega \pm 10\%$ (at 20°C)	no. turns	volts DC			
M304C-3V F304C-3V	3.15	320	3	4.2	6	9.5
M304C-6V F304C-6V	10.7	575	6	8.5	12	19
M304C-12V F304C-12V	43	1150	12	17	24	38
M304C-24V F304C-24V	150	2140	24	34	48	76