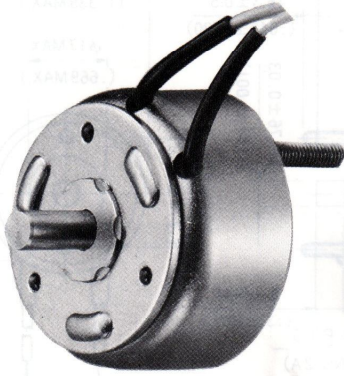
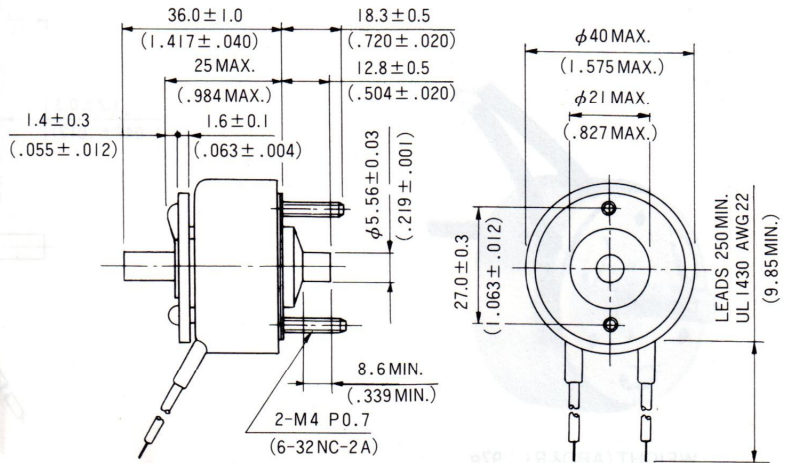


# SIZE401 ROTARY SOLENOID

UNIT :  $\frac{\text{mm}}{\text{(inch)}}$   
 SHOWN DE-ENERGIZED, RIGHT HAND ROTATION

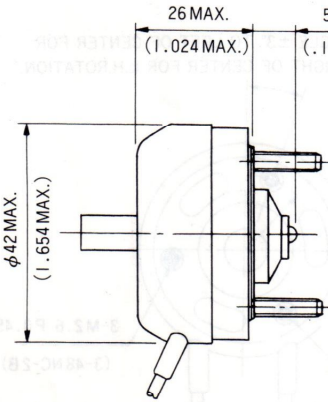


WEIGHT (ABD&R) : 200g

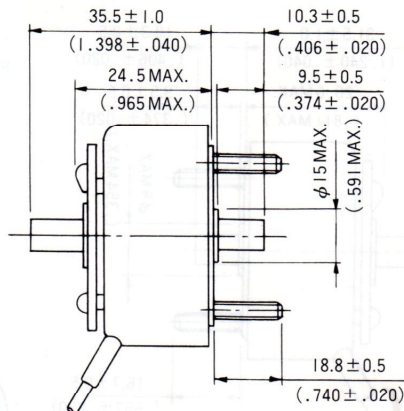


WITH A,B&R

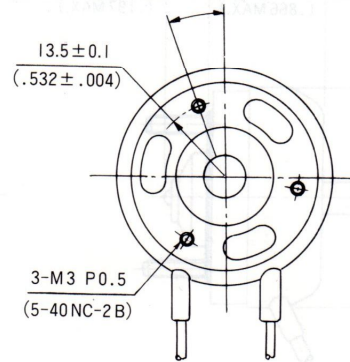
$\frac{1}{2}$  ROTATION ANGLE  $\pm 3^\circ$  TO LEFT OF CENTER FOR R.H. ROTATION, RIGHT OF CENTER FOR L.H. ROTATION.



WITH A,D&R



WITH A&B



WITH T

## COIL DATA

Heat sink : 160×160×3mm aluminum

Return spring torque : 0.0165~0.024 N·m

| duty cycle = $\frac{\text{"on" time}}{\text{"on" time} + \text{"off" time}} \times 100\%$ |  | 100% continuous | 75% or less | 50% or less | 25% or less | 10% or less |     |
|---|--|-----------------|-------------|-------------|-------------|-------------|-----|
| MAX. "on" time in seconds   |  | $\infty$        | 108         | 100         | 36          | 9           |     |
| watts at 20°C   |  | 12.5            | 16.5        | 25          | 50          | 125         |     |
| ampere-turns at 20°C  |  | 714             | 825         | 1000        | 1425        | 2250        |     |
| gross starting torque at 20°C (N·m)   |  | 25°             | 0.104       | 0.138       | 0.195       | 0.355       |     |
|   |  | 35°             | 0.069       | 0.092       | 0.127       | 0.23        |     |
|   |  | 45°             | 0.035       | 0.058       | 0.092       | 0.16        |     |
|   |  | 67.5°           | 0.022       | 0.035       | 0.046       | 0.092       |     |
|   |  | 95°             | 0.012       | 0.022       | 0.035       | 0.058       |     |
| AWG no.   | resistance $\Omega \pm 10\%$ (at 20°C) | no. turns       | volts DC    |             |             |             |     |
| 25  | 3.5                                    | 384             | 6.6         | 7.8         | 9.5         | 13          | 21  |
| 26  | 5.67                                   | 486             | 8.4         | 9.7         | 12          | 17          | 27  |
| 27  | 8.76                                   | 600             | 11          | 13          | 16          | 22          | 35  |
| 28  | 13.8                                   | 748             | 13          | 15          | 18          | 26          | 42  |
| 29  | 22.6                                   | 975             | 17          | 19          | 23          | 33          | 52  |
| 30  | 34.8                                   | 1190            | 21          | 25          | 30          | 42          | 67  |
| 31  | 56.7                                   | 1520            | 27          | 31          | 38          | 54          | 85  |
| 32  | 88.3                                   | 1908            | 35          | 41          | 49          | 70          | 110 |
| 33  | 138                                    | 2360            | 43          | 50          | 60          | 86          | 138 |
| 34  | 216                                    | 2904            | 53          | 61          | 75          | 106         | 168 |
| 35  | 351                                    | 3725            | 67          | 78          | 95          | 132         | 213 |
| 36  | 480                                    | 4000            | 85          | 98          | 119         | 169         | 268 |
| 37  | 720                                    | 4950            | 105         | 121         | 147         | 210         | 332 |
| 38  | 1150                                   | 6200            | 132         | 153         | 185         | 264         | —   |
| 39  | 1920                                   | 8350            | 166         | 191         | 232         | 332         | —   |
| 40  | 3000                                   | 10000           | 210         | 250         | 300         | —           | —   |