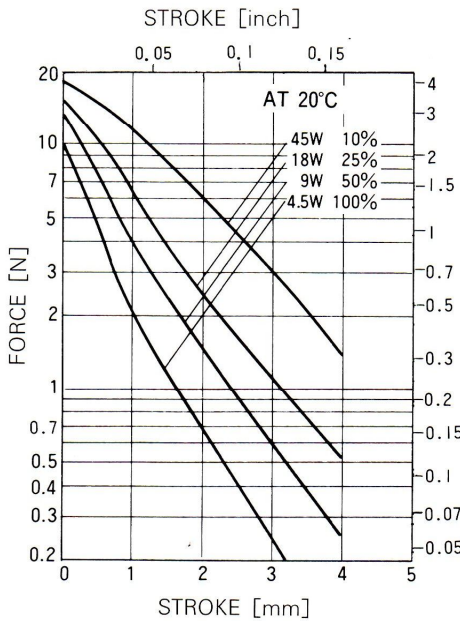
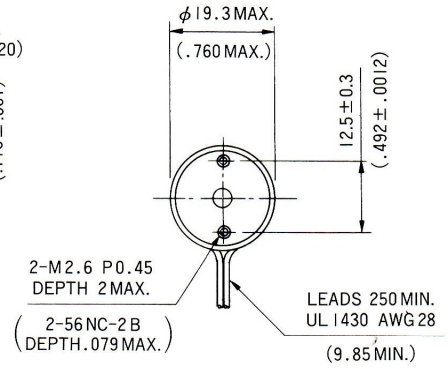
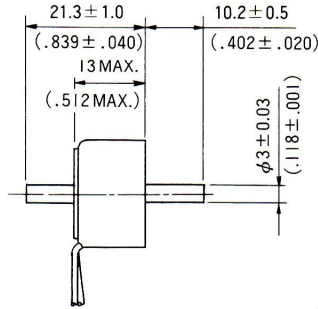


SIZE191C, 191F PUSH PULL SOLENOID

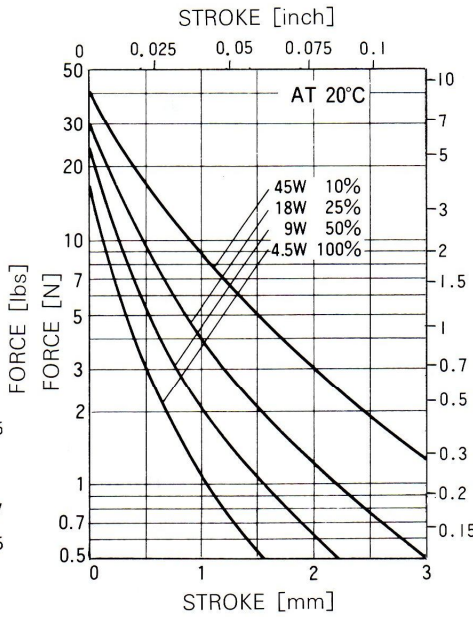
UNIT : $\frac{\text{mm}}{\text{inch}}$
SHOWN ENERGIZED



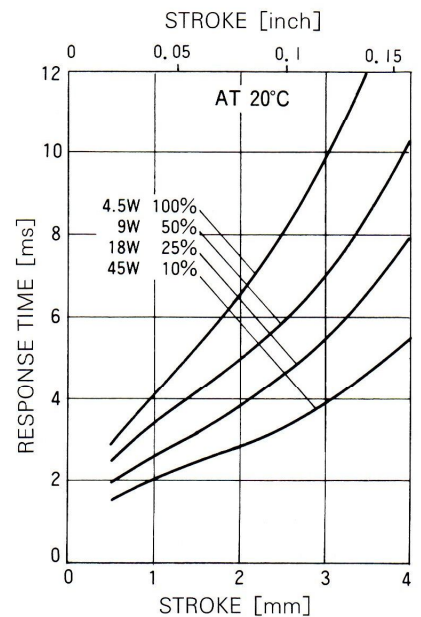
WEIGHT : 22g
PLUNGER (C) : 4g
PLUNGER (F) : 4g



STROKE - FORCE(191C)



STROKE - FORCE(191F)



STROKE - RESPONSE TIME

COIL DATA

Heat sink : 50×50×3mm aluminum

duty cycle = $\frac{\text{"on" time}}{\text{"on" time} + \text{"off" time}} \times 100\%$		100% continuous	50% or less	25% or less	10% or less	
MAX. "on" time in seconds		∞	100	36	7	
watts at 20°C		4.5	9	18	45	
ampere-turns at 20°C		285	403	570	901	
AWG no.	resistance $\Omega \pm 10\%$ (at 20°C)	no. turns	volts DC			
30	4.02	288	4.1	5.7	8	12.1
31	5.61	324	5	7.1	9.9	15.8
32	9.09	420	6.3	8.9	12.4	19.7
33	14.95	544	8	11.3	15.7	25
34	24.06	684	10.2	14.4	20	32
35	37.1	840	12.8	18.1	25	40
36	58.51	1056	16.1	23	32	50
37	75.68	1109	19.8	28	39	62
38	118	1370	25	35	49	78
39	199	1761	33	46	64	103
40	328	2283	42	59	82	131