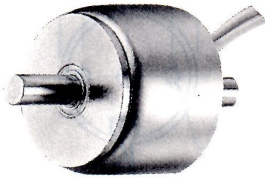
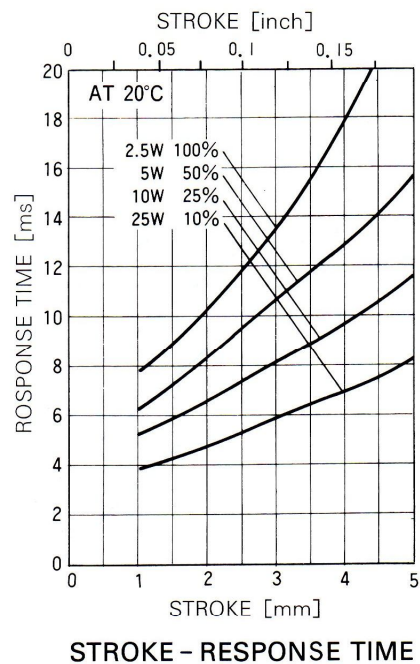
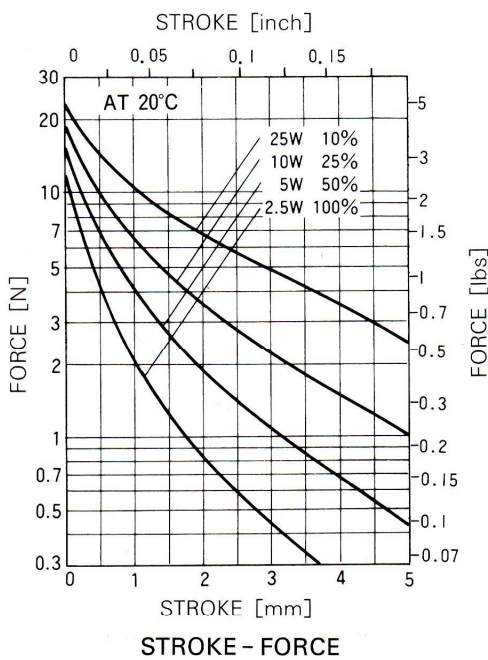
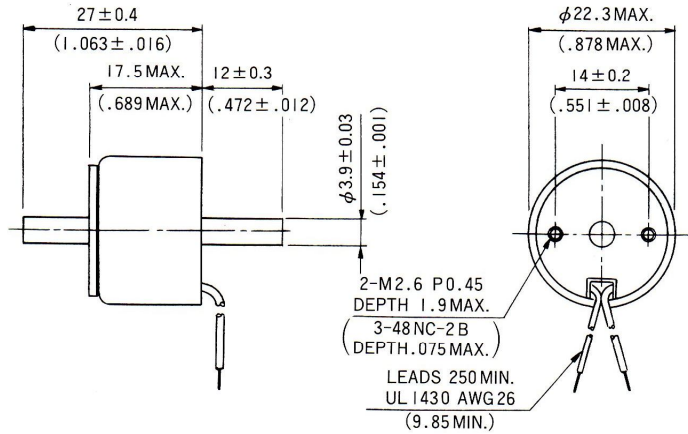


SIZE221C SMALL PUSH PULL SOLENOID

UNIT : $\frac{\text{mm}}{\text{inch}}$
SHOWN ENERGIZED



WEIGHT : 39g
PLUNGER : 9g



COIL DATA

without heat sink

type no.	duty cycle = $\frac{\text{"on" time}}{\text{"on" time} + \text{"off" time}} \times 100\%$		100% continuous	50% or less	25% or less	10% or less
	MAX. "on" time in seconds		∞	100	36	7
	watts at 20°C		2.5	5	10	25
	ampere-turns at 20°C		253	358	507	803
type no.	resistance $\Omega \pm 10\%$ (at 20°C)	no. turns	volts DC			
M221C-3V F221C-3V	3.8	325	3	4.2	6	9.5
M221C-6V F221C-6V	13.8	620	6	8.5	12	19
M221C-12V F221C-12V	59	1260	12	17	24	38
M221C-24V F221C-24V	226	2200	24	34	48	76