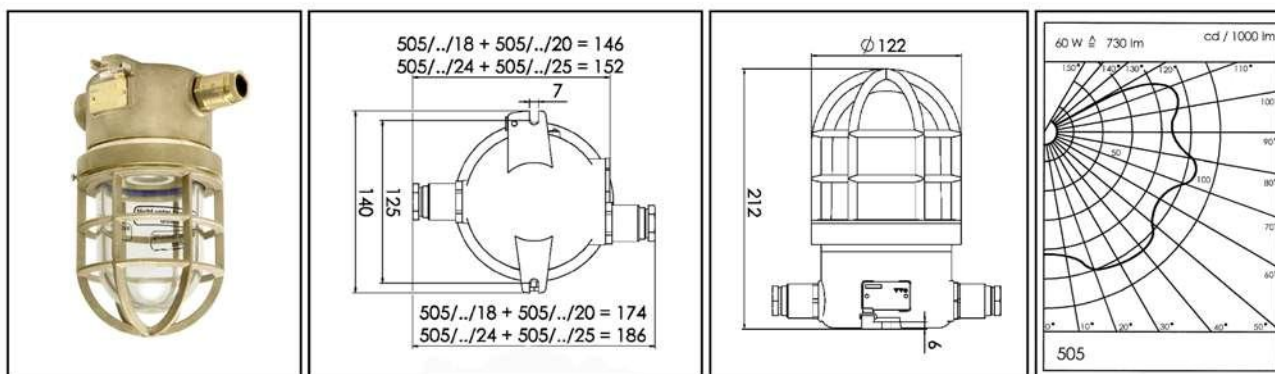
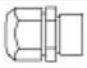



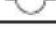


Light fittings with protection guard, brass, 505, up to T4, max. 60W, Ignition protection `ed`



Explosion protection:	II 2G EEx ed IIC
Zone:	1
Certificates:	PTB 03 ATEX 2144
Protection class to EN 60 529:	IP 56
Ambient temperature:	-20°C up to +40°C
Temperature class:	- 25W/40W/24V = T2 - 25W/40W/42V = T2 - 25W/40W/230V = T4 - 60W/230V = T3
Material:	Brass
Lamp:	- Incandescent lamp 25-60W (not included in delivery) - Only lamps approved by the EC-type-examination certificate may be used (see operating instruction)
Equipment:	Cable gland M 24x1,5, internal parts Z14
Variations:	Cable gland M 18x1,5, M 20x1,5 or M 25x1,5, equipment W or Z

Type		Lampholder	
505		E 27	3,0
505/2		E 27	3,1
505/D		E 27	3,1

Accessories / Spare parts

Glasses, globes

Type	Description	Suitable for
505/GI	Zylinderglas	505

EX-cable glands

Type	Description	Suitable for
Ex-KVM 24	ATEX-cable gland to DIN 89280	510, 14105, 5516, 505, 3312

Ex-stop ends

Type	Description	Suitable for
Ex-VSM 24	ATEX-stop end	510, 14105, 5516, 505, 3312

Glasses, Protection guards

Type	Description	Suitable for
gK 505	Cast guard	505

Sockets

Type	Description	Suitable for
E27/ATEX	Ex-lampholder E 27	505