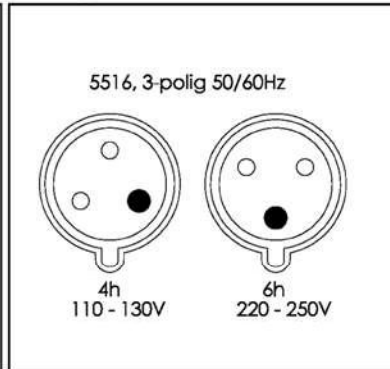
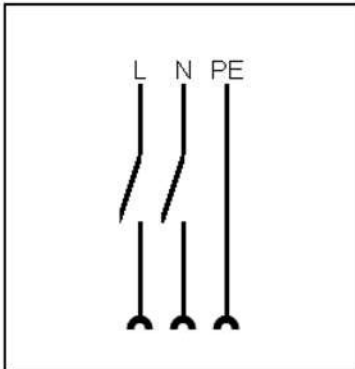
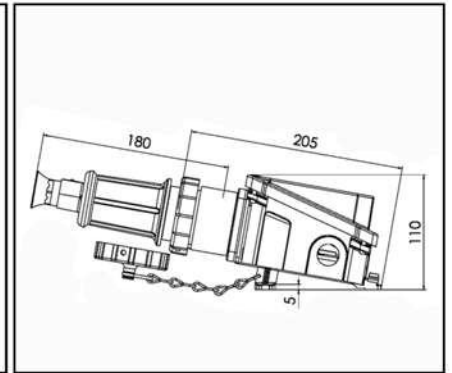
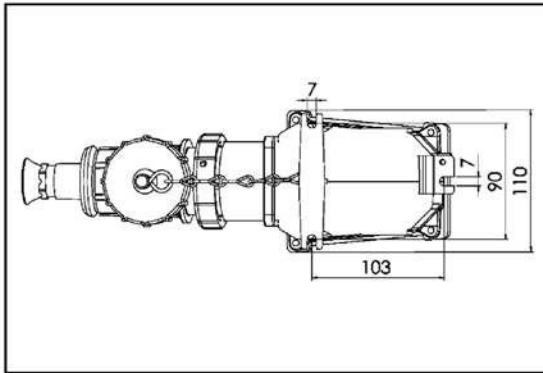
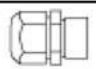


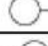
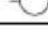


Socket devices 16A, brass, T6, Ignition protection 'ed'



- Explosion protection:** II 2G EEx ed IIC T6 / T5
- Zone:** 1
- Certificates:** PTB 03 ATEX 1159
- Protection class to EN 60 529:** IP 56
- Ambient temperature:** -40°C up to +40°C : T6  
-40°C up to +55°C : T5
- Voltage:** 50/60Hz, max. 415 V
- Rated current:** max. 16A
- Switching capacity:** 250V / 16A : AC 3
- Input Fuse (external):**
- Without therm. protection: max. 16A
  - With therm. protection: max. 35A gL
- Material:** Brass
- Equipment:**
- 6h - 2-pole + E, 220V-250V
  - Security switching arrangement with locking device
  - Flameproof enclosed interior
  - Inside and outside earth connection
  - Cable gland M 24x1,5 internal parts Z14
- Variations:**
- 4h - 2-pole + E, 110V-130V
  - Other voltages on request
  - Cable gland M 18x1,5, M 20x1,5 oder M 25x1,5, equipment W or Z
- Terminals/Poles Logo:**
- Terminal capacity:
- Socket: 2 x 1,5-4 mm<sup>2</sup>
  - Plug: 1 x 1,0-2,5 mm<sup>2</sup>

Type		
5516/L/24 6h		2,7
5516/R/24 6h		2,7
5516/D/24 6h		2,8
5516/ST 6h	—	1,5

**Accessories / Spare parts**

**Plug interior**

Type	Description	Suitable for
55161	Ex plug interior	5516

#### Socket interiors

Type	Description	Suitable for
55160	Ex socket interior with brass flange and gasket	5516

#### EX-cable glands

Type	Description	Suitable for
Ex-KVM 24	ATEX-cable gland to DIN 89280	510, 14105, 5516, 505, 3312

#### Ex-stop ends

Type	Description	Suitable for
Ex-VSM 24	ATEX-stop end	510, 14105, 5516, 505, 3312