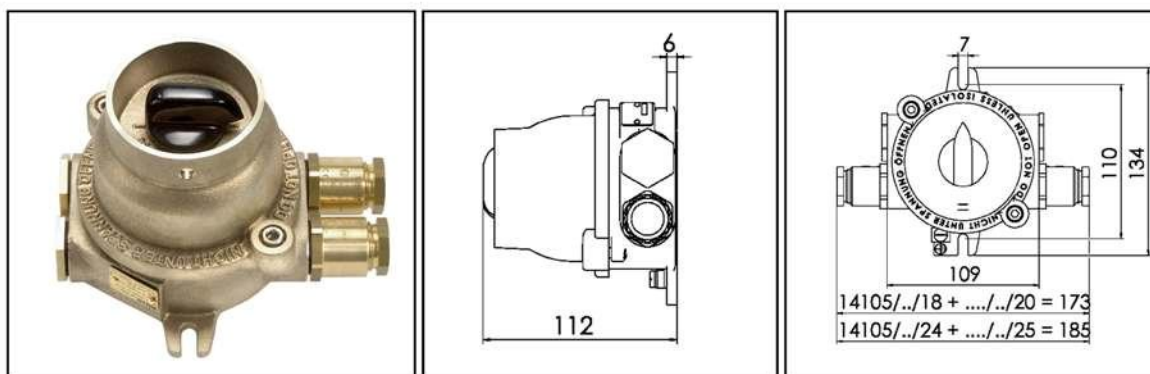







**On-Off-Switches, brass, T6, Ignition protection `de`**



<b>Explosion protection:</b>	II 2G EEx de IIC T6
<b>Zone:</b>	1
<b>Certificates:</b>	PTB 03 ATEX 1157
<b>Protection class to EN 60 529:</b>	IP 56
<b>Temperature range:</b>	-55°C to +65°C
<b>Rated insulation voltage:</b>	max. 750 V
<b>Bemessungsbetriebsstrom:</b>	max. 690 V
<b>Rated normal current:</b>	max. 16 A
<b>Rated impulse withstand voltage:</b>	max. 6 kV
<b>Utilisation category:</b>	- 16A / 690V: AC 1 - 8A / 500V: AC 3 - 4A / 690V: AC 3 - 16A / 415V: AC 15
<b>Material:</b>	Brass
<b>Rated connection capacity:</b>	- Fine wire: 1,5 to 2,5 mm <sup>2</sup> - Single wire: 1,5 to 4 mm <sup>2</sup>
<b>Switch:</b>	Ex switch interior, 2-pole, On-Off
<b>Equipment:</b>	Cable gland M 24x1,5, internal parts Z14
<b>Variations:</b>	- .../S = multi-circuit switch, 1-pole - .../We = chance-over switch, 1-pole - Other switch types on request - Cable gland M 18x1,5, M 20x1,5 or M 25x1,5 equipment W or Z - 3 or 4 cable glands

Type		
14105		1,8
14105/2		1,9
14105/D		1,9

**Accessories / Spare parts**

**EX-cable glands**

Type	Description	Suitable for
Ex-KVM 24	ATEX-cable gland to DIN 89280	510, 14105, 5516, 505, 3312

**Ex-stop ends**

Type	Description	Suitable for
Ex-VSM 24	ATEX-stop end	510, 14105, 5516, 505, 3312

**Switch interiors**

Description	Suitable for
Ex switch interior, 2-pole, On-Off	14105
Ex multi-circuit switch interior, 1-pole	14105

