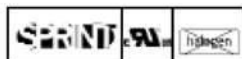
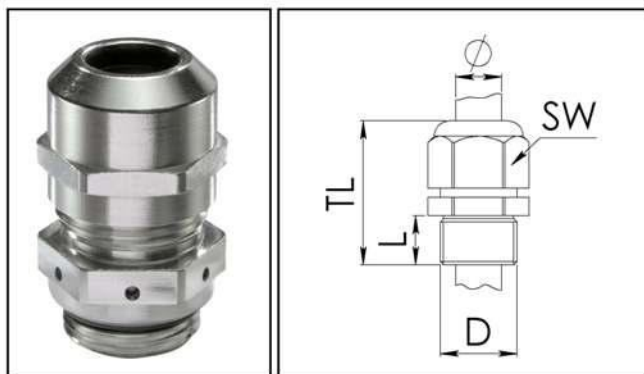


VentGLAND, SPRINT cable glands, metric, brass



Protection class to EN 60 529:

Temperature range:

Material:

Equipment:

IP 69k; IP 68 to 0,6 bar

-40°C to 100°C , intermittent up to approx. 120°C

- Cable gland: brass nickel-plated

- Clamping cage: polyamide

- Gasket: EPDM

- Membrane: ePTFE





- A micro-porous, liquid-tight and breathable ePTFE membrane as an integrated element of the cable gland

- Maximum traction relief through WISKA patent lamella

- Seal-tight to enclosure rack through additional EPDM sealing ring

- Same sealing range on all SPRINT-glands

- Also available with reduction insert, multiple sealing insert, special sealing insert and dust-protection gasket

Type	WISKA-No. Ni		 mm	 mm	 mm	E1 mm	TL mm
EMSVG 20	10065900	1	M 20x1,5	6 - 13	24	27	41 - 50
EMSVG 25	10065901	1	M 25x1,5	9 - 17	29	32	43 - 52
EMSVG 32	10065902	1	M 32x1,5	13 - 21	36	40	47 - 56
EMSVG 40	10065903	1	M 40x1,5	16 - 28	46	51	57 - 70
EMSVG 50	10065904	1	M 50x1,5	21 - 35	55	61	64 - 77
EMSVG 63	10065905	1	M 63x1,5	34 - 48	68	75	69 - 83