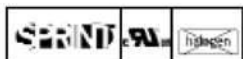
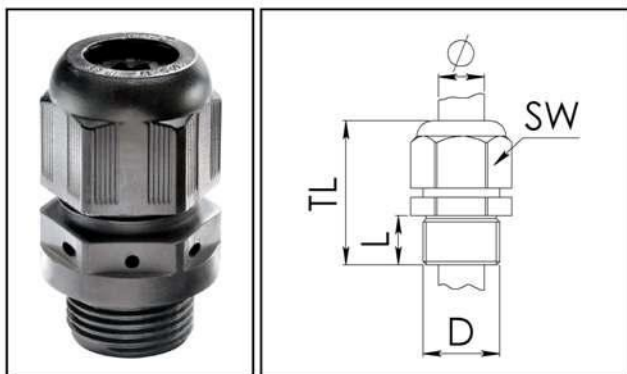


### VentGLAND, SPRINT cable glands, metric, plastic



**Protection class to EN 60 529:**

**Temperature range:**

**Material:**

**Equipment:**

IP 69k; IP 68 to 0,6 bar

-40°C to 100°C , intermittent up to approx. 120°C

- Cable gland: polyamide

- Gasket: EPDM

- Membrane: ePTFE

- A micro-porous, liquid-tight and breathable ePTFE membrane as an integrated element of the cable gland

- Maximum traction relief through WISKA patent lamella

- Seal-tight to enclosure rack through additional EPDM sealing ring

- Same sealing range on all SPRINT-glands

- Also available with reduction insert, multiple sealing insert, special sealing insert and dust-protection gasket

Type	WISKA-No. RAL 7035 	WISKA-No. RAL 9005 		 D mm	 mm	 SW mm	E1 mm	TL mm
ESVG 20	10060974	10060802	1	M 20x1,5	10	6 - 13	24	27 41 - 50
ESVG 25	10100666	10100667	1	M 25x1,5	10	9 - 17	29	32 45 - 54
ESVG 32	10100801	10100802	1	M 32x1,5	12	13 - 21	36	40 49 - 58