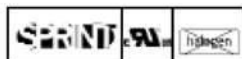
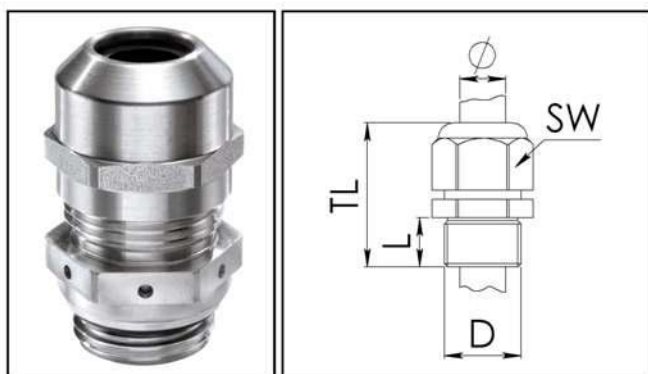


VentGLAND, SPRINT cable glands, metric, stainless steel 1.4305



Protection class to EN 60 529:

Temperature range:

Material:

Equipment:

IP 69k; IP 68 to 0,6 bar

-40°C to 100°C , intermittent up to approx. 120°C

- Cable gland: stainless steel A2 (1.4305/AISI 303)

- Clamping cage: polyamide

- Gasket: EPDM

- Membrane: ePTFE





- A micro-porous, liquid-tight and breathable ePTFE membrane as an integrated element of the cable gland

- Maximum traction relief through WISKA patent lamella

- Seal-tight to enclosure rack through additional EPDM sealing ring

- Same sealing range on all SPRINT-glands

- Also available with reduction insert, multiple sealing insert, special sealing insert and dust-protection gasket

Type	WISKA-No.		 mm	 mm	 mm	E1 mm
ESSVG 20	10069400	1	M 20x1,5	6 - 13	24	27
ESSVG 25	10069401	1	M 25x1,5	9 - 17	29	32
ESSVG 32	10069402	1	M 32x1,5	13 - 21	36	40
ESSVG 40	10069403	1	M 40x1,5	16 - 28	46	51
ESSVG 50	10069404	1	M 50x1,5	21 - 35	55	61
ESSVG 63	10069405	1	M 63x1,5	34 - 48	68	75