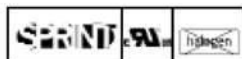
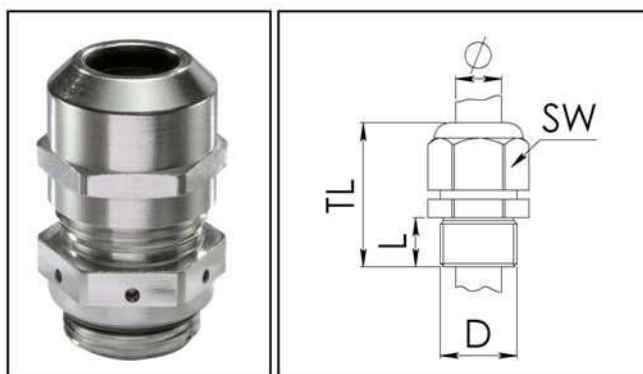


### VentGLAND EMC, SPRINT cable glands, metric, brass



**Protection class to EN 60 529:**

**Temperature range:**

**Material:**

**Equipment:**

IP 69k; IP 68 to 0,6 bar

-40°C to 100°C , intermittent up to approx. 120°C

- Cable gland: brass nickel-plated

- Clamping cage: polyamide

- Gasket: EPDM

- Membrane: ePTFE

- EMC gland with inserts according to DIN 89345

- Continuous EMC protection due to earthing cones





- A micro-porous, liquid-tight and breathable ePTFE membrane as an integrated element of the cable gland

- Maximum traction relief through WISKA patent lamella

- Seal-tight to enclosure rack through additional EPDM sealing ring

- Same sealing range on all SPRINT-glands

- Also available with reduction insert, multiple sealing insert, special sealing insert and dust-protection gasket

Type	WISKA-No. Ni		 mm	 mm	 SW mm	E1 mm	TL mm
EMSVG 20 EMV-Z	10065906	1	M 20x1,5	6 - 13	24	27	41 - 50
EMSVG 25 EMV-Z	10065907	1	M 25x1,5	9 - 17	29	32	43 - 52
EMSVG 32 EMV-Z	10065908	1	M 32x1,5	13 - 21	36	40	47 - 56
EMSVG 40 EMV-Z	10065909	1	M 40x1,5	16 - 28	46	51	57 - 70
EMSVG 50 EMV-Z	10065910	1	M 50x1,5	21 - 35	55	61	64 - 77
EMSVG 63 EMV-Z	10065911	1	M 63x1,5	34 - 48	68	75	69 - 83